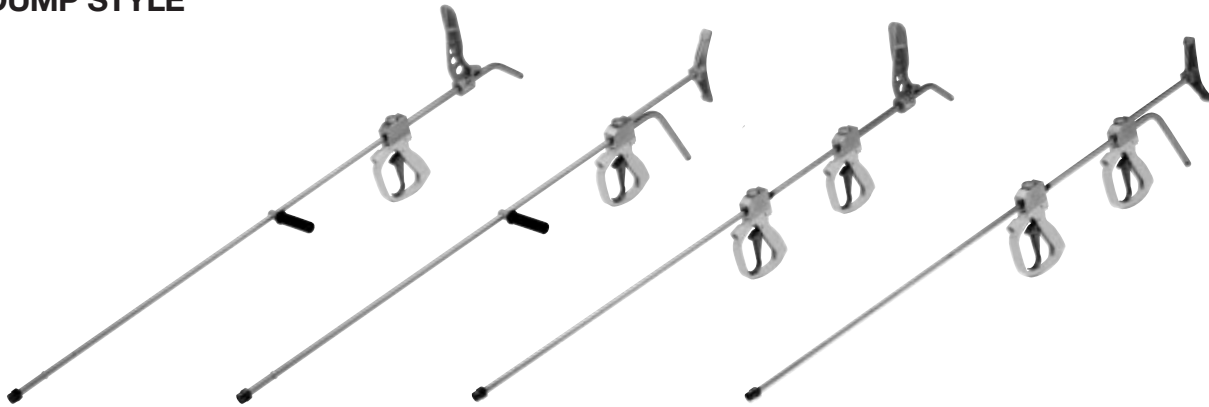


GUNS, VALVES, & FILTERS

UP TO 15,000 PSI (1000 BAR)



DURASAFE™ HAND GUNS DUMP STYLE



DCP-15

Part No. 53300

DCPx-15

Part No. 54605

DCP-15DD

Part No. 53225

DCPx-15DD

Part No. 54415

DuraSafe 15,000 psi hand-operated dump style control guns allow the operator to have complete control of the pressure at all times. Designed with safety, comfort, and simplicity in mind, they are used for a variety of surface cleaning applications and are available in four standard configurations.

- 30-second field replaceable cartridge design for minimal downtime
- 48" distance from primary trigger to end of barrel to ensure maximum operator safety**
- Lightweight
- Special cam-operated trigger cuts required engagement force in half
- DCP models feature fully adjustable body pad for maximum operator comfort in any position (shoulder, hip, chest, etc.), while an ergonomically designed shoulder stock is included with DCPx models
- Adjustable secondary grip included with single trigger models
- Dual trigger models require both triggers to be engaged in order to build system pressure for maximum operator safety
- All pressure-bearing components are stainless steel
- Includes coupling to attach 1/4" NPTM nozzles (see HHTC Nozzles, page E-9)

REPLACEMENT CARTRIDGE

All 15,000 psi DuraSafe Dump Style Control Guns utilize the C-15 cartridge, shown below, to completely rebuild the dump valve in about 30 seconds!

Part No. 50902



Part No.	Model	Trigger Actuation	Rest Type	Inlet Connection*	Outlet (Nozzle) Connection*	Length**		Weight		Max. Operating Pressure	
						in	cm	lb	kg	psi	bar
53300	DCP-15	Single	Body Pad	1/2" NPTM	3/8" NPTM	71	180	13	6	15,000	1000
54605	DCPx-15	Single	Shoulder Stock	1/2" NPTM	3/8" NPTM	66	167	12	5	15,000	1000
53225	DCP-15DD	Dual	Body Pad	1/2" NPTM	3/8" NPTM	75	190	17	8	15,000	1000
54415	DCPx-15DD	Dual	Shoulder Stock	1/2" NPTM	3/8" NPTM	70	177	16	7	15,000	1000

* Adapters available for other connection types. See details on all connection types beginning on page I-2.

** Custom length barrels available. Call factory for information.

GUNS, VALVES & FILTERS

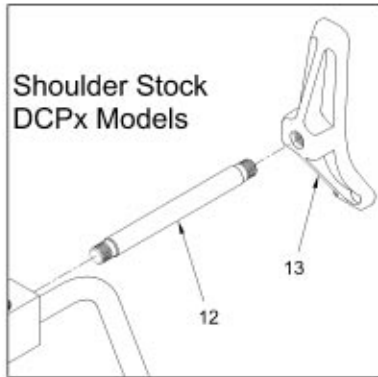
UP TO 15,000 PSI (1000 BAR)



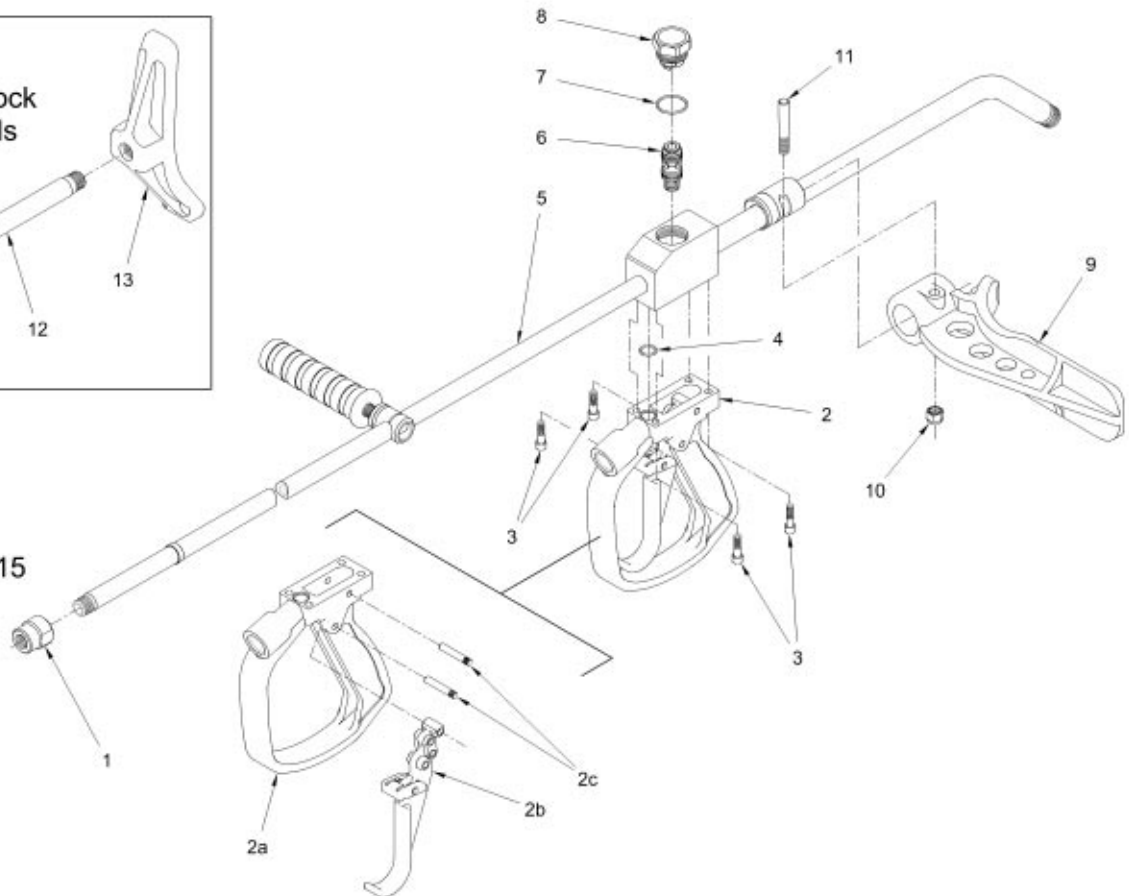
DURASAFE™ HAND GUNS

DUMP STYLE

REPLACEMENT PARTS



Model DCP-15
Shown



Item	Part No.	Description
1	26061	Coupling
2	55480	Handle Assembly
2a	55481	Handle
2b	J55617	Trigger Assembly
2c	26116	Pin
3	26689	Capscrew
4	25193	O-Ring
5	53270	DCP-15 Body Assembly
	54360	DCPx-15 Body Assembly
	53240	DCP-15DD Body Assembly
	54420	DCPx-15DD Body Assembly

Item	Part No.	Description
6	50902	C-15 Cartridge
7	25467	O-Ring
8	53175	Cartridge Plug (includes O-Ring, item 7)
9	53304	Body Pad (DCP models only)
10	25296	Nut (DCP models only)
11	53303	Stud (DCP models only)
12	50127	Extension (DCPx models only)
13	50124	Shoulder Stock (DCPx models only)

Related Items

MULTI-GUN VALVE (MGV) — See page C-11

ORBI-JET NOZZLES — See pages E-1 – E-5

HHTC NOZZLES — See page E-9

SAFETY SHROUDS & WHIP HOSES — See page G-3

GUNS, VALVES & FILTERS

UP TO 15,000 PSI (1000 BAR)



DURASAFE™ HAND GUNS SHUT-IN STYLE

DuraSafe 15,000 psi hand-operated shut-in style control guns allow the operator to have complete control of the pressure at all times. Designed with safety, comfort, and simplicity in mind, they are used for a variety of surface cleaning applications and are available in two standard configurations.

- Shut-in style control guns do not dump water when the trigger is released. Useful in applications where excess water spillage and disposal are concerns. Use with plunger style pumps such as the UNx™ requires the installation of a Shut-In Regulator Valve (see page C-14).
- 30-second field replaceable cartridge design for minimal downtime
- 48" distance from primary trigger to end of barrel to ensure maximum operator safety**
- Lightweight
- Special cam-operated trigger cuts required engagement force in half
- DCPSi model features a fully adjustable body pad for maximum operator comfort in any position (shoulder, hip, chest, etc.)
- DCPxSi model includes an ergonomically designed shoulder stock
- Adjustable secondary hand grip
- All pressure-bearing components are stainless steel
- Includes coupling to attach 1/4" NPTM nozzles (see HHTC Nozzles, page E-9)



DCPSi-15
Part No. 54330

DCPxSi-15
Part No. 54445

REPLACEMENT CARTRIDGE

15,000 psi DuraSafe Shut-in Style Control Guns utilize the CPSi-15 cartridge, shown below, to completely rebuild the gun in about 30 seconds!

Part No. 52635



Part No.	Model	Rest Type	Inlet Connection*	Outlet (Nozzle) Connection*	Length**		Weight		Max. Operating Pressure	
					in	cm	lb	kg	psi	bar
54330	DCPSi-15	Body Pad	1/2" NPTM	3/8" NPTM	71	180	13	6	15,000	1000
54445	DCPxSi-15	Shoulder Stock	1/2" NPTM	3/8" NPTM	70	177	12	5	15,000	1000

* Adapters available for other connection types. See details on all connection types beginning on page I-2.

** Custom length barrels available. Call factory for information.

GUNS, VALVES & FILTERS

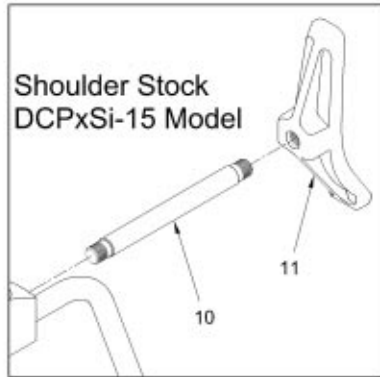
UP TO 15,000 PSI (1000 BAR)



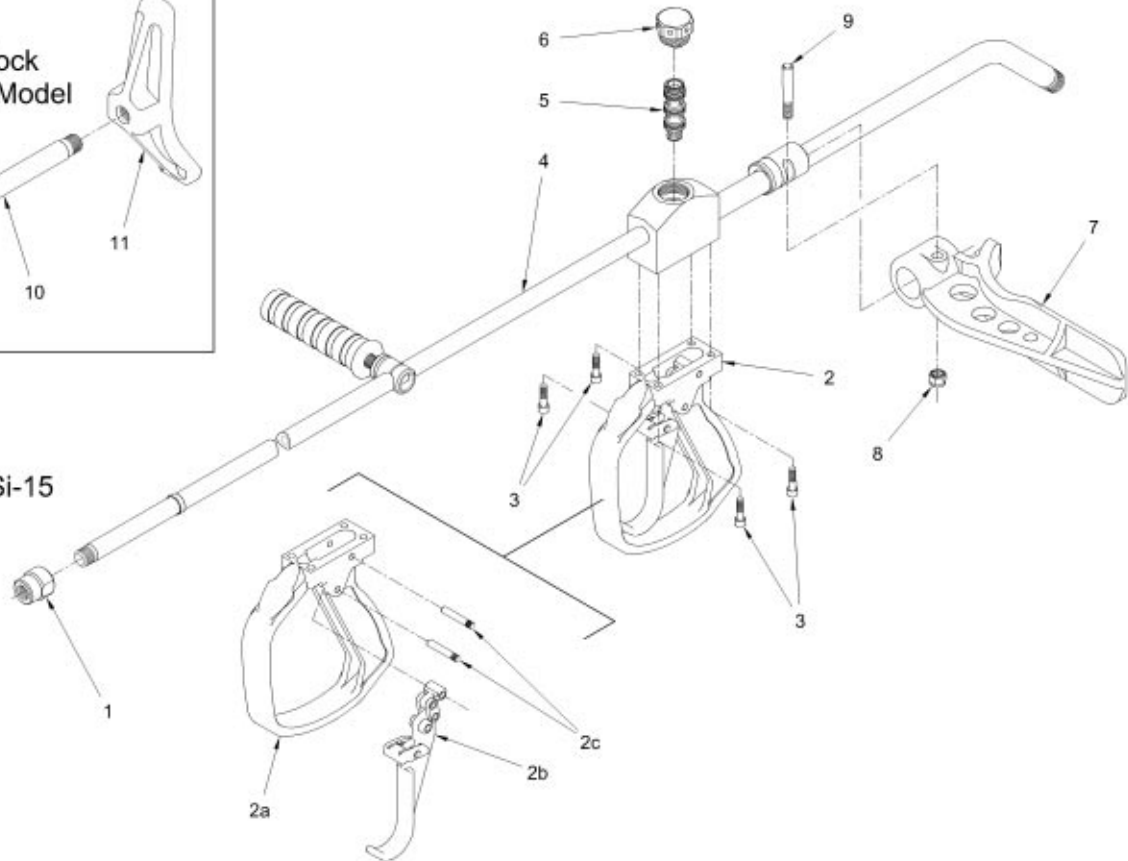
DURASAFE™ HAND GUNS

SHUT-IN STYLE

REPLACEMENT PARTS



Model DCPSi-15
Shown



Item	Part No.	Description
1	26061	Coupling
2	J55620	Handle Assembly
2a	J55614	Handle
2b	J55617	Trigger Assembly
2c	26116	Pin
3	26689	Capscrew
4	52645	DCPSi-15 Body Assembly
	54450	DCPxSi-15 Body Assembly

Item	Part No.	Description
5	52635	CPSi-15 Cartridge
6	52543	Cartridge Plug
7	53304	Body Pad (DCPSi-15)
8	25296	Nut (DCPSi-15)
9	53303	Stud (DCPSi-15)
10	50127	Extension (DCPxSi-15)
11	50124	Shoulder Stock (DCPxSi-15)

Related Items

SHUT-IN REGULATOR VALVE — See page C-14

ORBI-JET NOZZLES — See pages E-1 – E-5

HHTC NOZZLES — See page E-9

SAFETY SHROUDS & WHIP HOSES — See page G-3

GUNS, VALVES & FILTERS

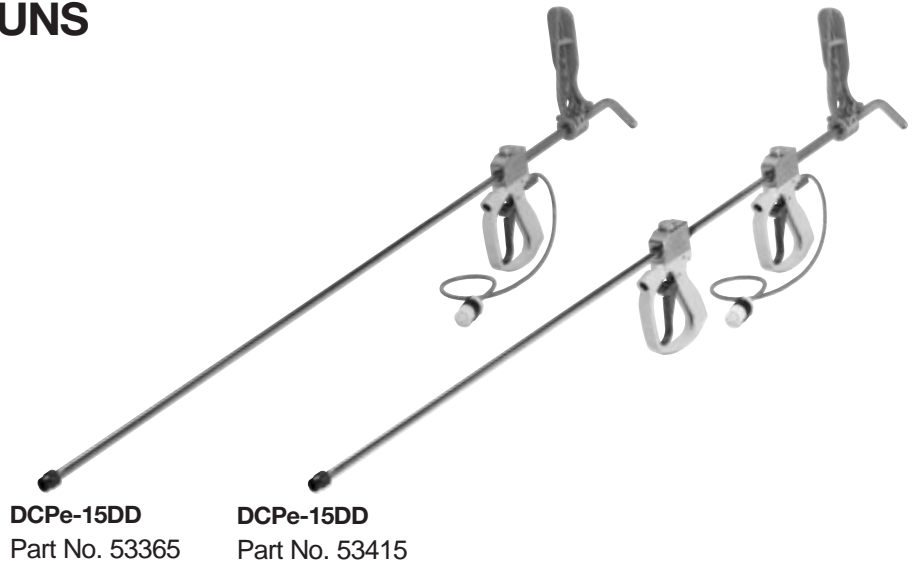
UP TO 15,000 PSI (1000 BAR)



DURASAFE™ HAND GUNS ELECTRIC DUMP STYLE

DuraSafe 15,000 psi electric hand-operated dump style control guns allow the operator to have complete control of the pressure at all times. Designed with safety, comfort, and simplicity in mind, they are used for a variety of surface cleaning applications and are available in standard configurations.

- Electric control guns are designed for units that utilize electric solenoid-operated throttle controls, popular in a handful of older waterblaster models
- 30-second field replaceable cartridge design for minimal downtime
- 48" distance from primary trigger to end of barrel to ensure maximum operator safety**
- Lightweight
- Special cam-operated trigger cuts required engagement force in half
- Fully adjustable body pad for maximum operator comfort in any position (shoulder, hip, chest, etc.)
- Adjustable secondary grip included with model DCPe-15
- Model DCPe-15DD requires both triggers to be engaged in order to build system pressure for maximum operator safety
- All pressure-bearing components are stainless steel
- Includes coupling to attach 1/4" NPTM nozzles (see HHTC Nozzles, page E-9)



REPLACEMENT CARTRIDGE

All 15,000 psi DuraSafe Dump Style Control Guns utilize the C-15 cartridge, shown below, to completely rebuild the dump valve in about 30 seconds!

Part No. 50902



Ergonomically designed body pad helps to reduce fatigue and ensure operator safety. Adjustable for maximum comfort in any position.



Body pad on chest



Body pad on hip



Body pad on shoulder

Part No.	Model	Trigger Actuation	Inlet Connection*	Outlet (Nozzle) Connection*	Length**		Weight		Max. Operating Pressure	
					in	cm	lb	kg	psi	bar
53365	DCPe-15	Single	1/2" NPTM	3/8" NPTM	71	180	13	6	15,000	1000
53415	DCPe-15DD	Double	1/2" NPTM	3/8" NPTM	75	190	17	8	15,000	1000

* Adapters available for other connection types. See details on all connection types beginning on page I-2.

** Custom length barrels available. Call factory for information.

GUNS, VALVES & FILTERS

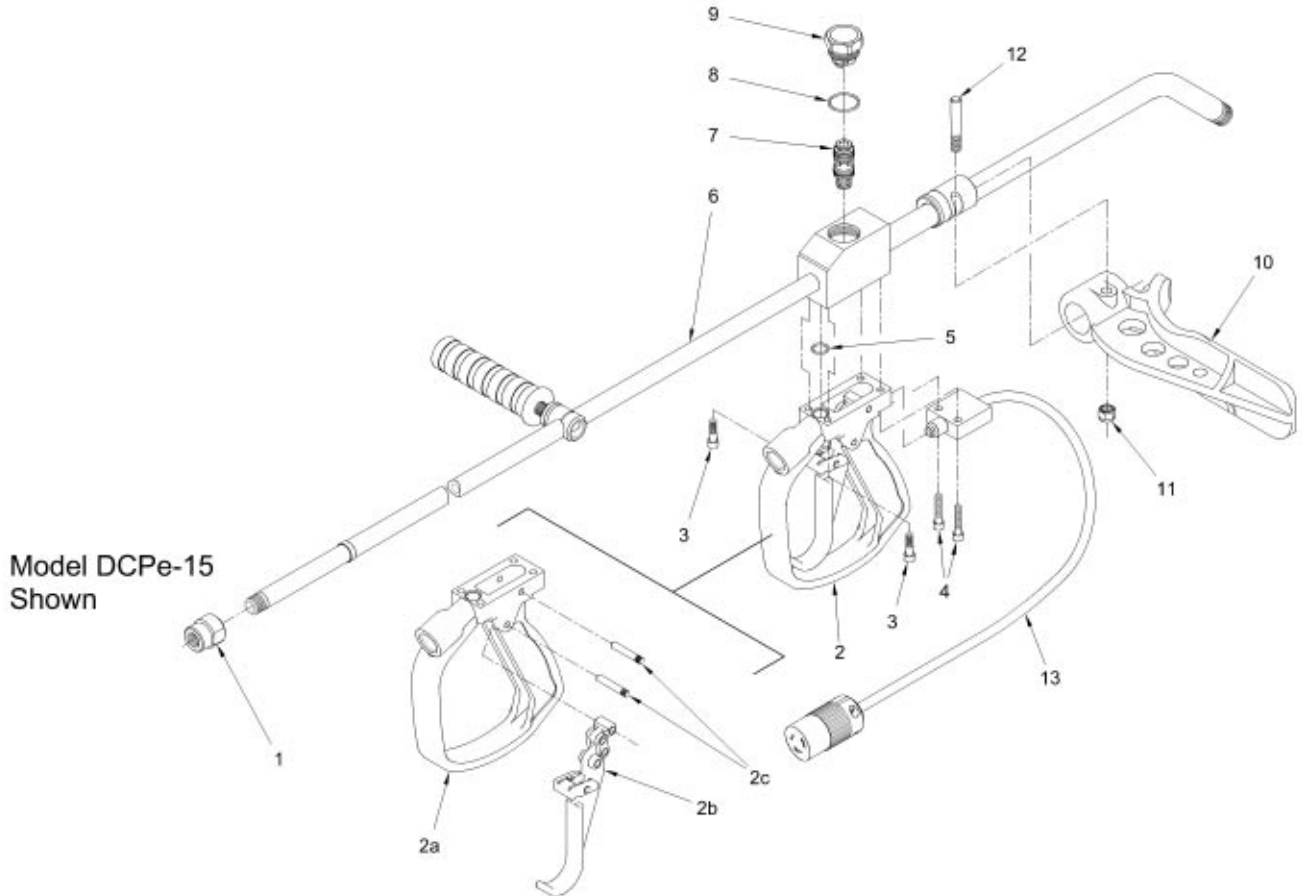
UP TO 15,000 PSI (1000 BAR)



DURASAFE™ HAND GUNS

ELECTRIC DUMP STYLE

REPLACEMENT PARTS



Item	Part No.	Description
1	26061	Coupling
2	J55685	Primary Handle Assembly (Both Models)
	55480	Secondary Handle Assembly (DCPe-15DD only)
2a	J55682	Primary Handle (Both Models)
	55481	Secondary Handle (DCPe-15DD only)
2b	J55617	Trigger Assembly
2c	26116	Pin
3	26689	Capscrew
4	26126	Capscrew
5	25193	O-Ring

Item	Part No.	Description
6	53270	DCPe-15 Body Assembly
	53240	DCPe-15DD Body Assembly
7	50902	C-15 Cartridge
8	25467	O-Ring
9	53175	Cartridge Plug (includes O-Ring, item 8)
10	53304	Body Pad
11	25296	Nut
12	53303	Stud
13	J55691	Switch Assembly

Related Items

ORBI-JET NOZZLES — See pages E-1 – E-5

HTTC NOZZLES — See page E-9

SAFETY SHROUDS & WHIP HOSES — See page G-3

GUNS, VALVES & FILTERS

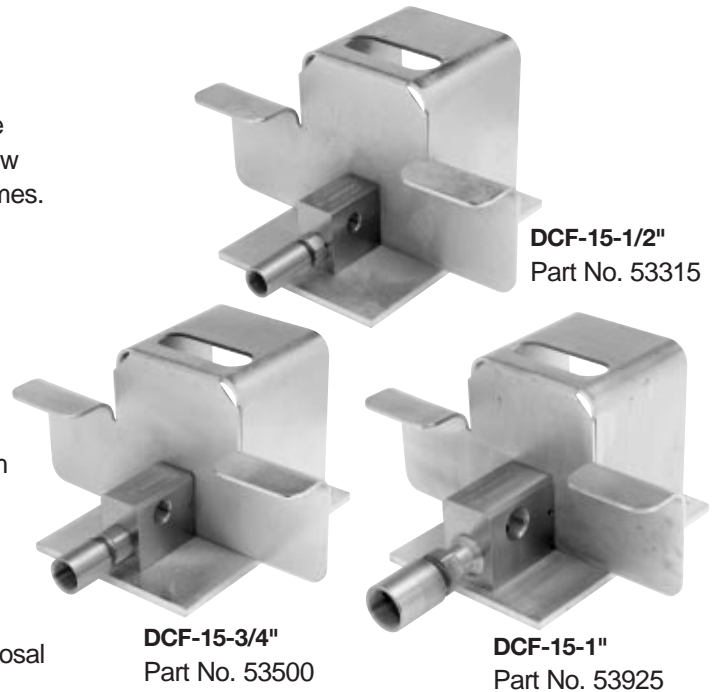
UP TO 15,000 PSI (1000 BAR)



DURASAFE™ FOOT GUNS DUMP STYLE

Ideal for a variety of waterblast tube cleaning applications, the DuraSafe family of foot-operated dump style control guns allow the operator to have complete control of the pressure at all times.

- 30-second field replaceable cartridge design for minimal downtime
- Safest foot valves in the industry! Custom safety cage and thick blast wall protect operator better than any foot control gun in the industry
- Pipe threaded (NPT) inlet and outlet
- Built-in “wings” protect high pressure hoses and fittings from external damage
- All pressure-bearing components precision machined from stainless steel
- Plated base and cage for corrosion resistance
- Threaded diffuser to route dump water for collection or disposal

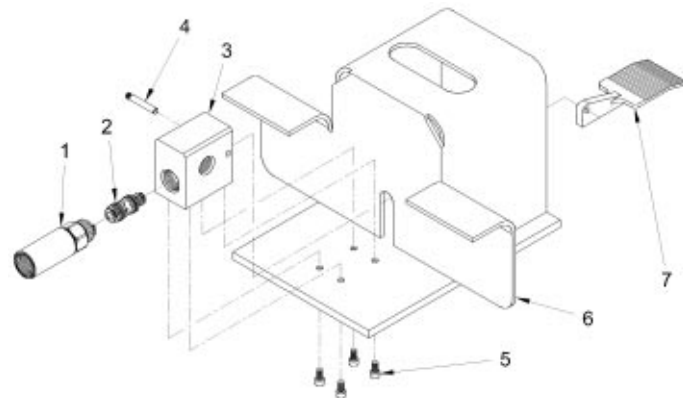


Part No.	Model	Inlet & Outlet Connections*	Diffuser Outlet Connection	Maximum Flow		Dimensions (H x W x D)		Weight		Max. Operating Pressure	
				gpm	lpm	in	mm	lb	kg	psi	bar
53315	DCF-15-1/2"	1/2" NPTF	3/4" NPTF	35	130	7.9 x 14.8 x 13.3	200 x 375 x 338	25	11	15,000	1000
53500	DCF-15-3/4"	3/4" NPTF	1" NPTF	75	285	7.9 x 14.8 x 13.5	200 x 357 x 343	26	12	15,000	1000
53925	DCF-15-1"	1" NPTF	1-1/4" NPTF	125	475	7.9 x 14.8 x 15.5	200 x 375 x 393	29	13	15,000	1000

* See details on all connection types beginning on page I-2.

Replacement Parts

Item	Part No.	Description
1	50460	Diffuser (DCF-15-1/2")
	51638	Diffuser (DCF-15-3/4")
	53959	Diffuser (DCF-15-1")
2	50902	C-15 Cartridge (DCF-15-1/2")
	52750	C-15 Mag Cartridge (DCF-15-3/4")
	53915	C-15-1" Cartridge (DCF-15-1")
3	53368	Body (DCF-15-1/2")
	53549	Body (DCF-15-3/4")
	53954	Body (DCF-15-1")
4	26453	Pin
5	25261	Capscrew
6	53386	Base
7	53373	Pedal



REPLACEMENT CARTRIDGE

All 15,000 psi DuraSafe Dump Style Control Guns utilize the C-15 cartridge, shown below, to completely rebuild the dump valve in about 30 seconds!

Part No. 50902



Related Items

- PIPE CLEANING NOZZLES** — See pages E-13 – E-18
- TUBE CLEANING NOZZLES** — See pages E-19 – E-30
- MULTI-GUN VALVE (MGV)** — See page C-11
- STRAIN RELIEF HOSES** — See page G-4
- FLEX LANCE SAFETY GRIP** — See page G-5

GUNS, VALVES & FILTERS

UP TO 15,000 PSI (1000 BAR)

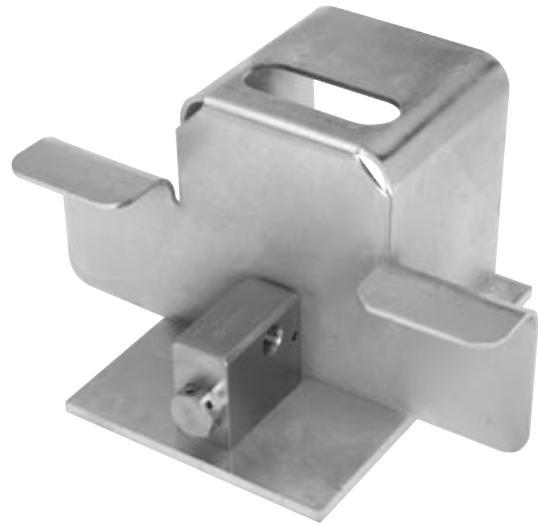


DURASAFE™ FOOT GUNS

SHUT-IN STYLE

Ideal for a variety of waterblast tube cleaning applications, the DCFSi-15 DuraSafe foot-operated shut-in style control gun allows the operator to have complete control of the pressure at all times.

- Shut-in style control guns do not dump water when the trigger is released. Useful in applications where excess water spillage and disposal are concerns. Use with plunger style pumps such as the UNx™ require the installation of a Shut-In Regulator Valve (see page C-14)
- 30-second field replaceable cartridge design for minimal downtime
- Safest shut-in foot valve in the industry! Custom safety cage and thick blast wall protect operator better than any foot control gun in the industry
- Pipe threaded (NPT) inlet and outlet
- Built-in “wings” protect high pressure and fittings from external damage
- All pressure-bearing components precision machined from stainless steel
- Plated base and cage for corrosion resistance



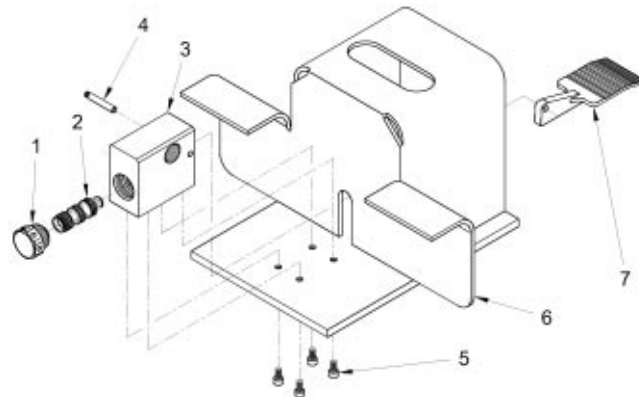
Part No.	Model	Inlet & Outlet Connections*	Maximum Flow		Dimensions (H x W x D)		Weight		Max. Operating Pressure	
			gpm	lpm	in	mm	lb	kg	psi	bar
54455	DCFSi-15	1/2" NPTF	35	130	7.9 x 14.8 x 11.3	200 x 375 x 286	25	11	15,000	1000

* See details on all connection types beginning on page I-2.

REPLACEMENT CARTRIDGE

15,000 psi DuraSafe Shut-in Style Control Guns utilize the CPSi-15 cartridge, shown below, to completely rebuild the gun in about 30 seconds!

Part No. 52635



Replacement Parts

Item	Part No.	Description
1	52543	Cartridge Plug
2	52635	CPSi-15 Cartridge
3	53374	Body
4	26453	Pin
5	25261	Cap screw
6	53386	Base
7	53373	Pedal

Related Items

- PIPE CLEANING NOZZLES** — See pages E-13 – E-18
TUBE CLEANING NOZZLES — See pages E-19 – E-30
SHUT-IN REGULATOR VALVE — See page C-14
STRAIN RELIEF HOSES — See page G-4
FLEX LANCE SAFETY GRIP — See page G-5

GUNS, VALVES & FILTERS

UP TO 15,000 PSI (1000 BAR)

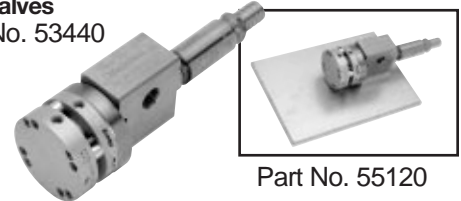


AIR-OPERATED DIVERTER VALVES DUMP STYLE

The Air-Operated Diverter Valve allows an operator to remotely control pressure in cleaning applications up to 15,000 psi. When air is sent to the cylinder, the valve closes and allows the system to build pressure. The valve opens when the air is exhausted, reducing system pressure to near atmospheric.

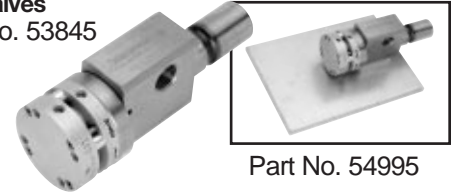
- 30-second field replaceable cartridge design for minimal downtime
- Remote pneumatic operation for reduced operator fatigue and added convenience and safety
- Pipe threaded (NPT) inlet and outlet
- Heavy-duty air cylinder
- All pressure-bearing components precision machined from stainless steel
- Available in three sizes with or without plated steel base

1/2" Valves
Part No. 53440



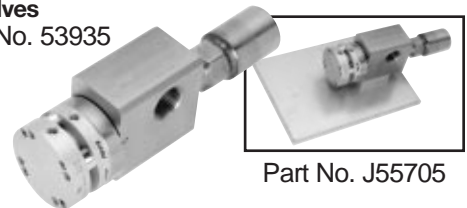
Part No. 55120

3/4" Valves
Part No. 53845



Part No. 54995

1" Valves
Part No. 53935



Part No. J55705

Part No.	Mounting	Inlet & Outlet Connections*	Diffuser Outlet Connection	Maximum Flow		Dimensions (H x W x D)		Weight		Max. Operating Pressure	
				gpm	lpm	in	mm	lb	kg	psi	bar
53440	No Base	1/2" NPTF	3/4" NPTF	35	130	3.3 x 3.1 x 8.6	84 x 79 x 217	6.5	2.9	15,000	1000
55120	Base-Mount	1/2" NPTF	3/4" NPTF	35	130	3.8 x 8.0 x 13.3	97 x 203 x 338	16.1	7.3	15,000	1000
53845	No Base	3/4" NPTF	1" NPTF	75	285	3.4 x 3.1 x 8.8	87 x 79 x 223	7.7	3.5	15,000	1000
54995	Base-Mount	3/4" NPTF	1" NPTF	75	285	4.0 x 8.0 x 13.5	102 x 203 x 343	17.3	7.9	15,000	1000
53935	No Base	1" NPTF	1-1/4" NPTF	125	475	3.7 x 3.1 x 10.4	94 x 79 x 272	11.2	5.1	15,000	1000
J55705	Base-Mount	1" NPTF	1-1/4" NPTF	125	475	4.5 x 8.0 x 15.5	113 x 203 x 393	20.8	9.4	15,000	1000

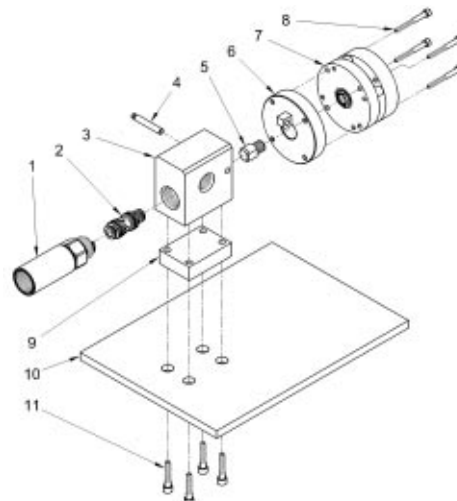
* See details on all connection types beginning on page I-2.

Replacement Parts

Item	Part No.	Description
1	50460	Diffuser (1/2" Valves)
	51638	Diffuser (3/4" Valves)
	53959	Diffuser (1" Valves)
2	50902	C-15 Cartridge (1/2" Valves)
	52750	C-15 Mag Cartridge (3/4" Valves)
	53915	C-15-1" Cartridge (1" Valves)
3	53368	Body (1/2" Valves)
	53549	Body (3/4" Valves)
	53954	Body (1" Valves)
4	26453	Pin
5	53424	Pusher
6	53423	Mounting Plate
7	27251	Air Cylinder
8	27107	Capscrew
9	53788	Mounting Block (Base-Mounted Models)
10	53384P	Base (Base-Mounted Models)
11	26126	Capscrew (Base-Mounted Models)

Air Specifications

Air Inlet Connection: 1/8" NPTF
Minimum Inlet Air Pressure: 70 psi (4.8 bar)
Maximum Inlet Air Pressure: 125 psi (8.6 bar)



GUNS, VALVES & FILTERS

UP TO 15,000 PSI (1000 BAR)



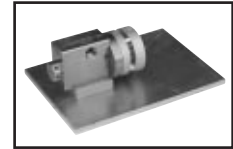
AIR-OPERATED DIVERTER VALVES SHUT-IN STYLE

Shut-In, Air-Operated Diverter Valves allow an operator to remotely control pressure in cleaning applications up to 15,000 psi. When air is sent to the cylinder, the valve opens to allow water to the nozzle. The valve closes when the air is exhausted, preventing water from reaching the nozzle while maintaining system pressure.

- Use with plunger style pumps such as the UNx requires the installation of a Shut-In Regulator Valve (see page C-14)
- 30-second field replaceable cartridge design for minimal downtime
- Remote pneumatic operation for reduced operator fatigue and added convenience and safety
- Pipe threaded (NPT) inlet and outlet
- Heavy-duty air cylinder
- All pressure-bearing components precision machined from stainless steel
- Available with or without plated steel base



Part No. 53680



Part No. J55710

REPLACEMENT CARTRIDGE

15,000 psi Shut-in Style Diverter Valves utilize the CPSi-15 cartridge, shown below, to completely rebuild the gun in about 30 seconds!

Part No. 52635



Part No.	Mounting	Inlet & Outlet Connections*	Maximum Flow		Dimensions (H x W x D)		Weight		Max. Operating Pressure	
			gpm	lpm	in	mm	lb	kg	psi	bar
53680	No Base	1/2" NPTF	35	130	3.3 x 3.1 x 6.1	85 x 79 x 154	6.4	2.9	15,000	1000
J55710	Base-Mount	1/2" NPTF	35	130	4.0 x 8.0 x 11.3	101 x 203 x 286	16.0	7.3	15,000	1000

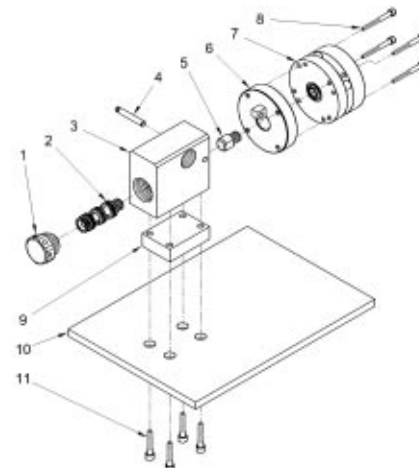
* See details on all connection types beginning on page I-2.

Air Specifications

Air Inlet Connection: 1/8" NPTF
Minimum Inlet Air Pressure: 70 psi (4.8 bar)
Maximum Inlet Air Pressure: 125 psi (8.6 bar)

Replacement Parts

Item	Part No.	Description
1	52543	Cartridge Plug
2	52635	CPSi-15 Cartridge
3	53374	Body
4	26453	Pin
5	53424	Pusher
6	53423	Mounting Plate
7	27251	Air Cylinder
8	27107	Capscrew
9	53788	Mounting Block (Base-Mounted Model)
10	53384P	Base (Base-Mounted Model)
11	26126	Capscrew (Base-Mounted Model)



GUNS, VALVES & FILTERS

UP TO 15,000 PSI (1,000 BAR)



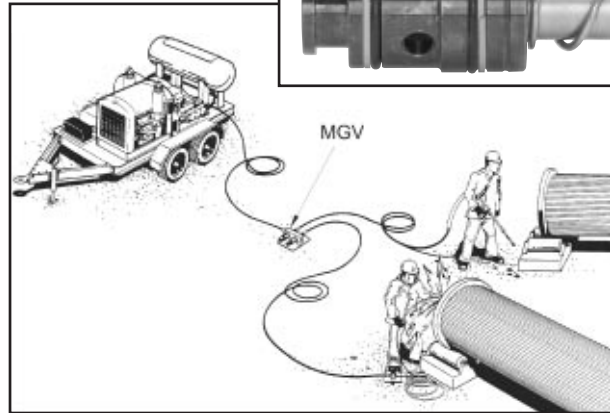
MULTI-GUN VALVE (MGV)

The MGV (Multi-Gun Valve) allows two dump style waterblast guns to be operated independently when connected to one waterblast pump. The MGV will divide the pump's total flow between the guns and will maintain system pressure when either or both guns are dumping.

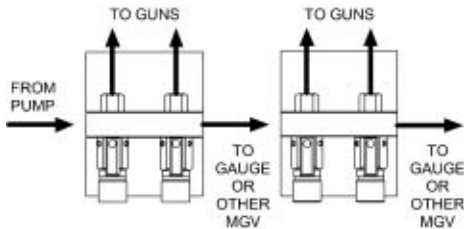
- Setup using two hand adjustment dials is fast and simple
- Utilizes two valve cartridges that can be easily replaced to completely repair the valve in the field in only three minutes
- All pressure-bearing components are stainless steel
- Zinc-plated base for corrosion resistance
- Pipe threaded (NPT) inlet and outlet connections
- Additional Multi-Gun Valves can be added to a system to further increase the number of tools in operation by a single waterblast unit



REPLACEMENT CARTRIDGE



Multiple MGV Configurations

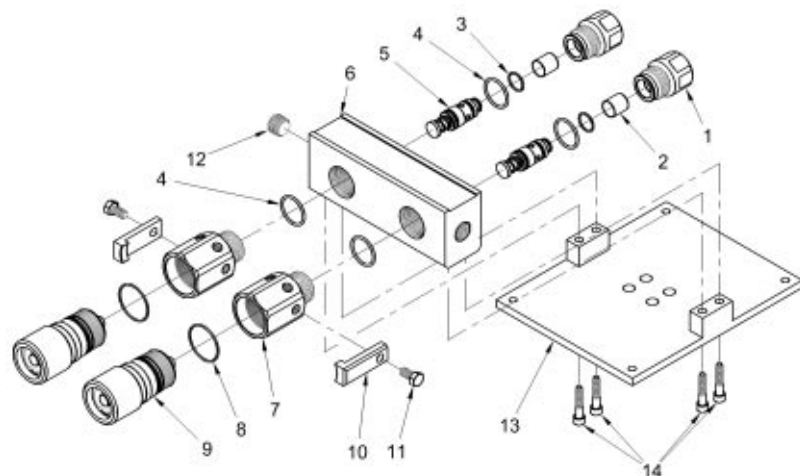


Part No.	Inlet 1 Connection*	Inlet 2/ Gauge Connection*	Outlet (Gun) Connections*	Dimensions				Weight		Max. Operating Pressure			
				Height (H)		Width (W)		Depth (D)		lb	kg	psi	bar
				in	mm	in	mm	in	mm				
51785	3/4" NPTF	1/2" NPTF	1/2" NPTF	4.3	109	8.0	203	10.8	275	29	13	15,000	1000

* See details on all connection types beginning on page I-2. Inlet and Outlet (Gauge) connections can be reversed.

Replacement Parts

Item	Part No.	Description
1	54077	Outlet Adapter
2	52201	Diffuser
3	26782	O-Ring
4	26509	O-Ring
5	50234	Cartridge
6	51767	Manifold
7	51769	Adjuster Adapter
8	25603	O-Ring
9	50900	Adjuster
10	50795	Locking Arm
11	25593	Capscrew
12	26115	1/2" NPT Plug
	26164	3/4" NPT Plug
13	50811	Base
14	25700	Capscrew



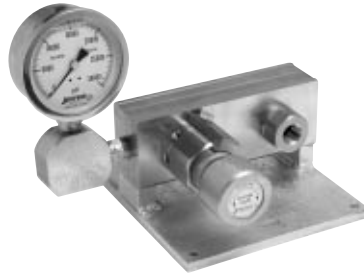
GUNS, VALVES & FILTERS

UP TO 15,000 PSI (1000 BAR)



MULTI-UNIT MANIFOLDS

- Combine flow of two waterblast units
- Two sizes available
- Built-in bypass valve and pressure gauge for centralized, remote pressure control
- All pressure-bearing components are stainless steel
- Zinc-plated base for corrosion resistance
- Pipe threaded (NPT) inlet and outlet connections



15,000 psi Model
Part No. 52840



10,000 psi High Flow Model
Part No. 55330

Part No.	Inlet Connections*	Outlet Connection*	Maximum Combined Flow		Dimensions						Weight		Max. Operating Pressure	
					Height (H)		Width (W)		Depth (D)					
			gpm	lpm	in	mm	in	mm	in	mm	lb	kg	psi	bar
52840	1/2" NPTF	3/4" NPTF	100	380	4.3	109	8.0	203	10.8	275	27	12	15,000	1000
55330	1" NPTF	1" NPTF	200	760	14.0	360	8.0	203	10.0	254	30	14	10,000	700

* See details on all connection types beginning on page I-2.

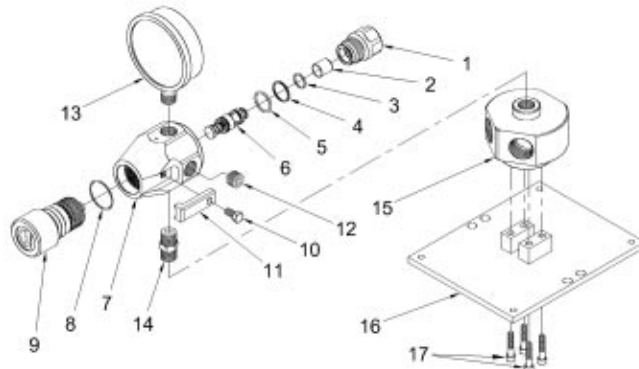
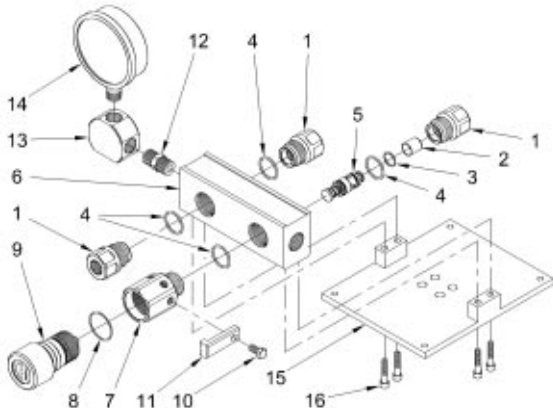
Replacement Parts

15,000 psi Model

Item	Part No.	Description
1	54077	Outlet Adapter
2	52201	Diffuser
3	26782	O-Ring
4	26509	O-Ring
5	50234	Cartridge
6	51767	Manifold
7	51769	Adjuster Adapter
8	25603	O-Ring
9	52144	Adjuster
10	25593	Capscrew
11	50795	Locking Arm
12	50496	Nipple
13	50300	Elbow
14	51126	Gauge (0-30,000 psi)
15	50811	Base
16	25700	Capscrew

10,000 psi High Flow Model

Item	Part No.	Description
1	54077	Outlet Adapter
2	52201	Diffuser
3	26782	O-Ring
4	53912	Backup Ring
5	26522	O-Ring
6	50234	Cartridge
7	53859	Body
8	25603	O-Ring
9	52144	Adjuster
10	25593	Capscrew
11	50795	Locking Arm
12	26115	Plug
13	25771	Gauge (0-20,000 psi)
14	50488	Nipple
15	55297	Body
16	55304	Base
17	25700	Capscrew



GUNS, VALVES & FILTERS

UP TO 15,000 PSI (1000 BAR)



BYPASS VALVES

HAND ADJUSTABLE

A bypass valve diverts a portion of pump flow to a low-pressure outlet and is used on diesel and electric units. For diesel engines, it is used to prevent bogging the engine when using flows at the low end of the pump's capability. A bypass valve is required on electric units due to the non-adjustability of motor speed.

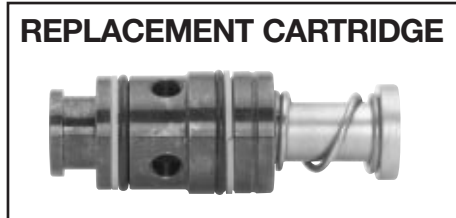
- Two minute field-replaceable cartridge design for minimal downtime
- Hand adjustment — no wrench needed
- Pump-mount model connects to fluid end manifold
- Base-mount model connects in-line downstream and includes a protective cage and a pressure gauge for remote adjustment
- All pressure-bearing components precision machined from stainless steel
- Pipe threaded (NPT) inlet and outlet connections



Pump-Mounted
Part No. 53920



Base-Mounted
Part No. 52680

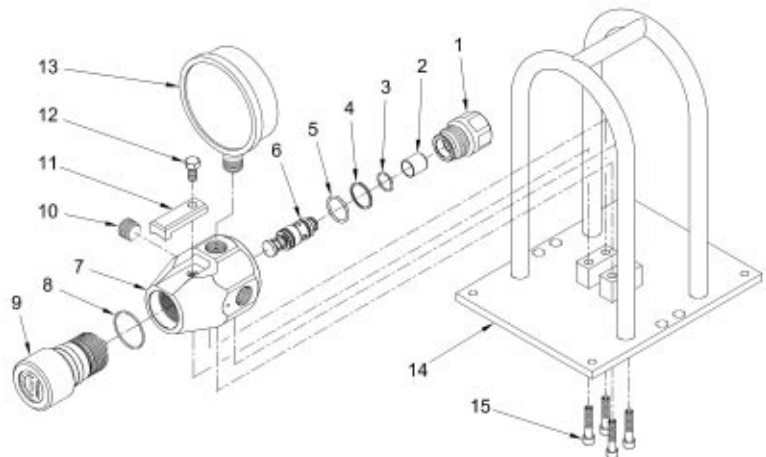


Part No.	Mounting Style	Pressure Gauge Included	Inlet & Outlet Connections*	Low Pressure Outlet Connection	Dimensions (H x W x D)		Weight		Max. Operating Pressure	
					in	mm	lb	kg	psi	bar
53920	Pump-Mount	No	1/2" NPTF	1/2" NPTF	3.2 x 3.3 x 7.9	80 x 84 x 200	11	5	15,000	1000
52680	Base-Mount	Yes	1/2" NPTF	1/2" NPTF	12.8 x 8.0 x 11.3	325 x 203 x 287	28	12	15,000	1000

* See details on all connection types beginning on page I-2.

Replacement Parts

Item	Part No.	Description
1	54077	Outlet Adapter
2	52201	Diffuser
3	26782	O-Ring
4	53912	Backup Ring
5	26522	O-Ring
6	50234	Cartridge
7	53859	Body
8	25603	O-Ring
9	52144	Adjuster
10	26155	Plug
11	50795	Locking Arm
12	25593	Capscrew
13	51126	Gauge (Base-Mounted Model)
14	52486	Base/Cage (Base-Mounted Model)
15	25700	Capscrew (Base-Mounted Model)



GUNS, VALVES & FILTERS

UP TO 15,000 PSI (1000 BAR)



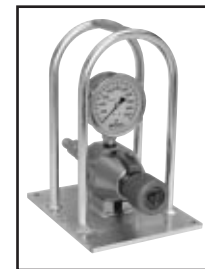
SHUT-IN REGULATOR VALVES HAND ADJUSTABLE

Required for use with shut-in systems on plunger pumps, the regulator valve maintains constant system pressure when operating one or more shut-in guns from a single pump. When a gun is disengaged, the regulator automatically adjusts to shift the excess flow to a low pressure outlet while maintaining system pressure.

- Two-minute field-replaceable cartridge design for minimal downtime
- Hand adjustment — no wrench needed
- Pump-mount model connects to fluid end manifold
- Base-mount model connects in-line downstream and includes a protective cage and a pressure gauge for remote adjustment
- All pressure-bearing components precision machined from stainless steel
- Two operating pressure ranges available. Switching between ranges requires only a cartridge changeout.
- Pipe threaded (NPT) inlet and outlet connections



Pump-Mounted
Part No's. 54238 & 54432



Base-Mounted
Part No's. 52720 & 53605

REPLACEMENT CARTRIDGE

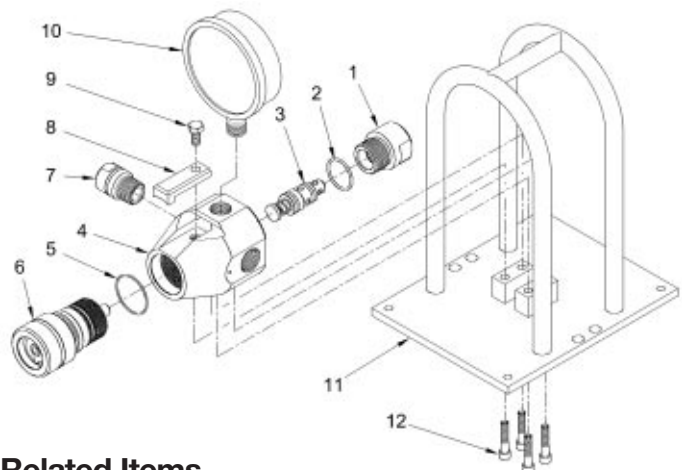


Part No.	Mounting Style	Inlet Connections (3)*	Low Pressure Outlet Connection	Dimensions (H x W x D)		Weight		Operating Pressure Range	
				in	mm	lb	kg	psi	bar
54238	Pump-Mount	3/4" NPTF	3/4" NPTF	3.2 x 3.3 x 7.9	80 x 84 x 200	11	5	8,000-15,000	550-1000
52690	Base-Mount	3/4" NPTF	3/4" NPTF	12.8 x 8.0 x 11.3	325 x 203 x 287	28	12	8,000-15,000	550-1000
54432	Pump-Mount	3/4" NPTF	3/4" NPTF	3.2 x 3.3 x 7.9	80 x 84 x 200	11	5	5,000-11,000	350-750
53605	Base-Mount	3/4" NPTF	3/4" NPTF	12.8 x 8.0 x 11.3	325 x 203 x 287	28	12	5,000-11,000	350-750

* See details on all connection types beginning on page I-2.

Replacement Parts

Item	Part No.	Description
1	52583	Outlet Adapter
2	25657	O-Ring
3	52695	Cartridge, 8,000-15,000 psi (550-1000 bar)
	53135	Cartridge, 5,000-11,000 psi (350-750 bar)
4	52572	Body
5	26919	O-Ring
6	52700	Adjustment Knob
7	26065	Reducing Bushing (Pump-Mounted Models)
8	50795	Locking Arm
9	25593	Capscrew
10	51126	Gauge (0-30,000 psi scale)
	25771	Gauge (0-20,000 psi scale)
11	52486	Base/Cage (Base-Mounted Models)
12	25700	Capscrew (Base-Mounted Models)
13	26115	Plug (Pump-Mounted Models)



Related Items

- SHUT-IN HAND GUNS** — See pages C-3 – C-4
SHUT-IN FOOT GUNS — See page C-8

GUNS, VALVES & FILTERS

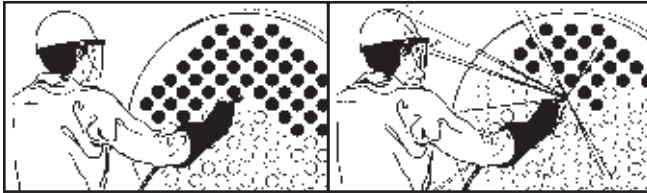
UP TO 15,000 PSI (1000 BAR)



NOZZLE SHUT-OFF VALVE NSOV

The Nozzle Shut-Off Valve (NSOV) is designed for use with dump style foot guns. The Nozzle Shut Off Valve completely stops all water flow to the cleaning nozzle in a waterblast operation while the foot valve is in its dump mode.

- Allows the operator to freely move the nozzle without impairment of vision caused by sprayback (shown below)
- Opens fully for unimpeded flow to the nozzle when blasting
- Mounts between lance and foot gun (shown at right)
- All pressure-bearing components precision machined from stainless steel



With NSOV Installed

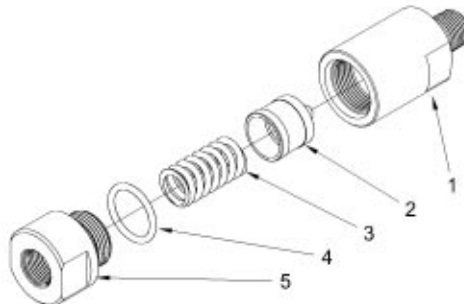
Without NSOV Installed

Part No.	Inlet Connection*	Outlet Connection*	Dimensions				Weight		Max. Operating Pressure	
			Length		Diameter		lb	kg	psi	bar
			in	mm	in	mm				
51642	1/2" NPTM	1/2" NPTF	4.18	106	1.75	44.5	2	1	15,000	1000

* See details on all connection types beginning on page I-2.

Replacement Parts

Item	Part No.	Description
1	51643	Body
2	51645	Valve
3	26455	Spring
4	26314	O-Ring
5	51644	Outlet Adapter



Related Items

- DURASAFE™ DUMP STYLE FOOT GUNS** — See page C-7
STRAIN RELIEF HOSES — See page G-4

GUNS, VALVES & FILTERS

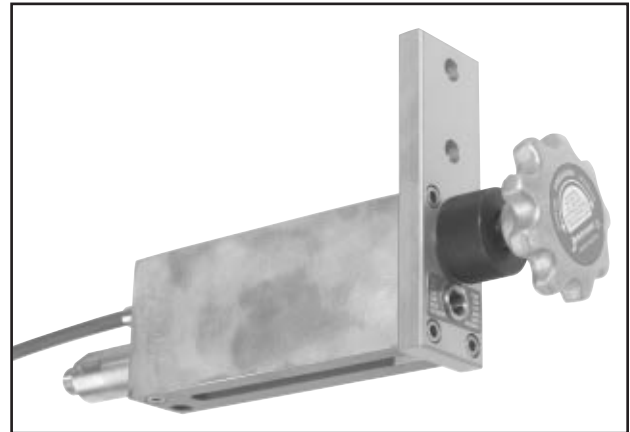
UP TO 15,000 PSI (1000 BAR)



HYDRO-THROTTLE MECHANICAL THROTTLE CONTROL

The Jetstream Mechanical Hydro-Throttle enables the operator to reduce the engine to idle speed and relieve the system of high pressure when the gun trigger is released — saving water and fuel and reducing wear on the engine and pump. When the gun is again engaged, the Hydro-Throttle increases the engine speed until the pump again reaches the set operating pressure.

- For use with dump systems on diesel waterblast units with mechanical controls. For electronically controlled engines, see the next page.
- Quick panel or bracket mount installation
- Easy knob adjustments under all operating conditions
- Flexible control cable for quick, easy routing and minimal drag
- Back-pressure adjustment screw compensates for excessive system back-pressure when control gun is disengaged
- Assemblies include control unit, cartridge and control cable to connect to engine throttle. Hydro-Throttle hose, sold below, is needed to connect control unit to pump.



REPLACEMENT CARTRIDGE

Replaceable cartridge for fast field service or conversion to another pressure range



Part No.	Control Cable Length		Connection Type* (Cartridge)	Control Unit Size (L x W x H)		Weight		Max. Operating Pressure	
	ft	m		in	mm	lb	kg	psi	bar
51900	2	0.6	1/4" NPTM	11.7 x 1.75 x 5.6	297 x 44.5 x 142	4	1.8	15,000	1000
51900A	5	1.5							

* See details on all connection types beginning on page I-2.

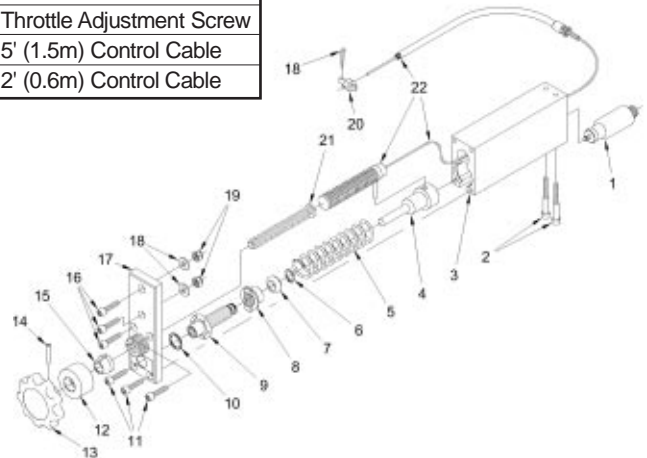
Replacement Parts

Item	Part No.	Description
1	51899	Cartridge
2-21	52894	Throttle Control Unit
2	26690	Capscrew
3	51877	Body
4	54293	Spring Retainer
5	26682	Return Spring
6	28274	Retaining Spring
7	54272	Adjuster Stop Ring
8	54269	Back-Pressure Adjustment Nut
9	54268	Back-Pressure Adjustment Screw
10	54271	Thrust Washer
11	26689	Capscrew
12	51887	Friction Adjustment Nut
13	51879	Hand Knob
14	26688	Pin
15	51888	Friction Ring
16	51908	Face Plate
17	25247	Washer

Item	Part No.	Description
18	26468	Cotter Pin
19	25314	Nut
20	26728	Pivot Terminal
21	51885	Throttle Adjustment Screw
22	51903A	5' (1.5m) Control Cable
	51903	2' (0.6m) Control Cable

Related Items

Hydro-Throttle Hose
6 ft (1.8 m)
1/2" NPTM x 1/4" NPTF
Part No. 53371



HOSES & LANCES

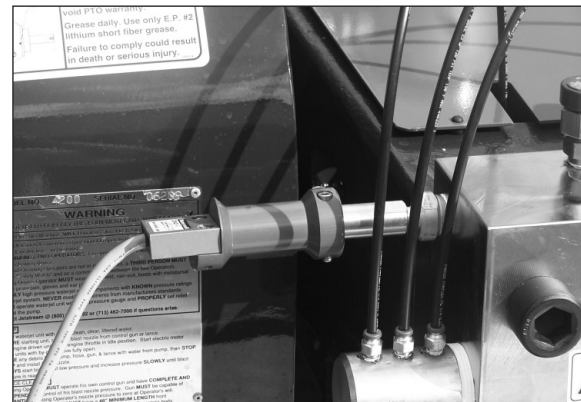
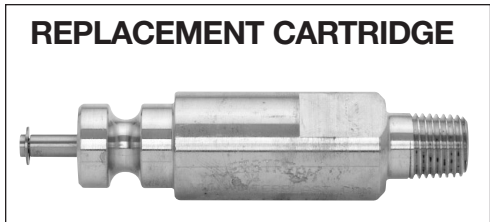
UP TO 15,000 PSI (1000 BAR)



HYDRO-THROTTLE ELECTRONIC THROTTLE CONTROL

The Jetstream Electronic Hydro-Throttle enables the operator to reduce the engine to idle speed and relieve the system of high pressure when the gun trigger is released — saving water and fuel and reducing wear on the engine and pump. When the gun is again engaged, the Hydro-Throttle senses the change in pressure and increases the engine speed to the previous set point.

- For use with dump systems on diesel waterblast units with electronic controls. For mechanically controlled engines, see the previous page.
- Mounts directly to the fluid end manifold
- Replaceable cartridge for fast field service or conversion to another pressure range
- Includes actuator assembly, cartridge and electrical plug to mount to engine cowling

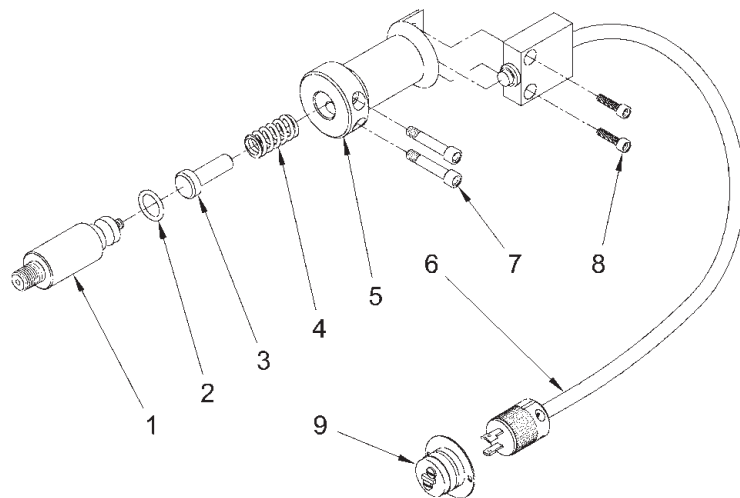


Part No.	Connection*	Diameter		Length (less cord)		Weight		Max. Operating Pressure	
		in	mm	in	mm	lb	kg	psi	bar
J55715	1/4" NPTM	7.2	182	7.2	182	1.6	0.7	15,000	1000

* See details on all connection types beginning on page I-2.

Replacement Parts

Item	Part No.	Description
1	51899	Hydro-Throttle Cartridge
2	26426	O-Ring
3	53444	Plunger
4	25279	Spring
5	53443	Body
6	53446	Corded Switch
7	53447	Capscrew
8	27716	Capscrew
9	27494	Receptacle

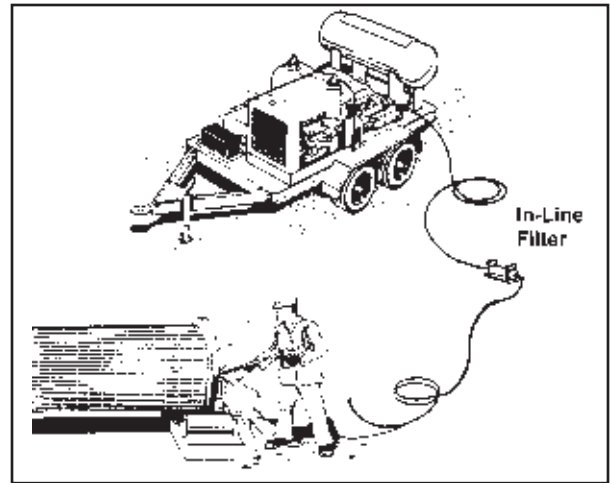


GUNS, VALVES & FILTERS

UP TO 15,000 PSI (1000 BAR)



HIGH PRESSURE IN-LINE FILTER



The High Pressure In-Line Water Filter is designed and built for durability and ease of use. It allows water to be filtered after the pump, providing maximum protection for control valves, spin nozzles, and other equipment that can be damaged by large particles in water.

- Quick and easy filter cartridge style replacement
- Base-mounted, permitting the filter to be mounted at the pump or downstream between hoses
- Pop-out internal relief valve protects the system from unsafe pressure caused by clogged filters. Resetting the relief valve simply requires pushing a reset button after the filter has been replaced.
- Stainless steel construction
- Filter element not included

REPLACEMENT FILTER ELEMENT

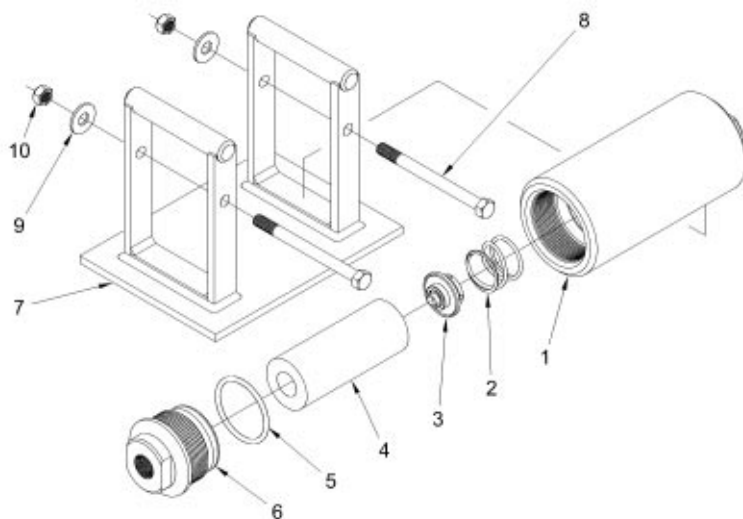


Part No.	Inlet Connection*	Outlet Connection*	Dimensions (L x W x H)		Weight		Maximum Flow		Max. Operating Pressure	
			in	mm	lb	kg	gpm	lpm	psi	bar
52710	1/2" NPTF	1/2" NPTF	11 x 8 x 9.5	279 x 203 x 241	46	21	40	150	15,000	1000

* See details on all connection types beginning on page I-2.

Replacement Parts

Item	Part No.	Description
1	52587	Body
2	27415	Spring
3	52705	Relief Valve
4	26931	5 Micron Filter Element
	26932	10 Micron Filter Element
	26933	25 Micron Filter Element
5	27418	O-Ring
6	52586	Cap
7	52599	Base
8	27406	Capscrew
9	26798	Washer
10	25410	Nut



GUNS, VALVES & FILTERS

UP TO 15,000 PSI (1000 BAR)



FILTERS

LOW PRESSURE

Provide critical protection to waterblast systems by extending valve life, preventing overpressurization caused by plugged nozzles, and protecting other system components from damage by large particles in water supply.

- Available in two sizes to meet a wide range of needs
- Stainless steel housings
- Heavy-duty stainless steel baskets
- Filter bags from 5 to 75 microns
- Accessory ports for pressure gauges and drain valves
- Stand included
- Filter bags sold separately



Part No.	Inlet & Outlet Connections	Maximum Flow		Dimensions				Weight		Max. Operating Pressure	
				Diameter		Height*					
		gpm	lpm	in	mm	in	mm	lb	kg	psi	bar
99358	2" NPTF	200	750	8.5	216	36	910	40	18	150	10
29693	1-1/2" NPTF	40	150	4.0	102	20	510	7.5	3.4	150	10

* See details on all connection types beginning on page I-2.

Filter Bags



Filter Part No.	Maximum Flow		Filter Bags				
	gpm	lpm	5 micron	10 micron	25 micron	50 micron	75 micron
99358	200	750	27688	26765	26766	27497	—
29693	40	150	28806	26916	25117	25866	25118