

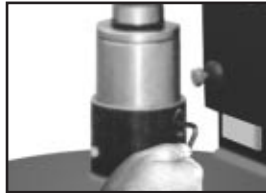
SURFACE CLEANERS

UP TO 15,000 PSI (1000 BAR)

HYDRO-MOWER SURFACE CLEANER

Used to clean large horizontal surfaces with four powerful, self-rotating jets, Jetstream Hydro-Mowers are designed for efficiency, ease of use, fast maintenance, safety and versatility. They are ideal for any job, from grate and floor cleaning to stripping paint and rubber.

- Swivel speed can be adjusted from 50 to 800 RPM using a standard Allen wrench. No fluid changes. No "hit or miss" spray arm angle adjustments.



- Swivel Seal Cartridge is easily removable, unlike plastic-only swivel seals that often must be pried from swivel bores. Maintenance cost is reduced by integrating a portion of the swivel shaft into the seal cartridge, preventing wear to the main shaft.



- Deck Height Adjustment wheel and cam lock allow distance between nozzles and surface to be easily and quickly optimized.



- Rotary Union increases maneuverability and reduces operator fatigue by acting as a pivot for a supply hose, eliminating the tiresome task of manually shifting hose position with each pass.



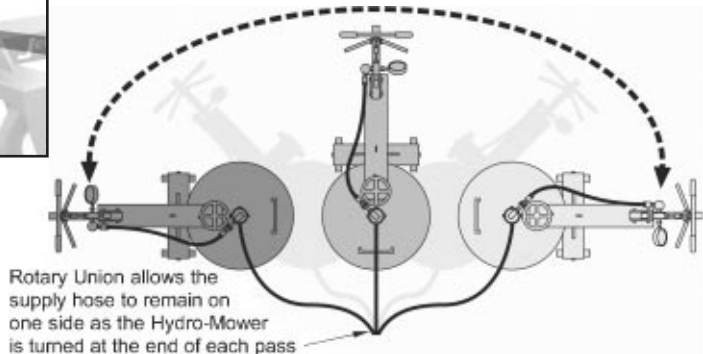
- Mechanically controlled dump valve provides safe, reliable control of pressure without air or electricity.

- Cartridge Style Design allows dump valve to be rebuilt in under a minute with no special tools.



- Pressure Gage mounted to dump valve on mower handle for operator convenience and safety.

- Adjustable Handle Height



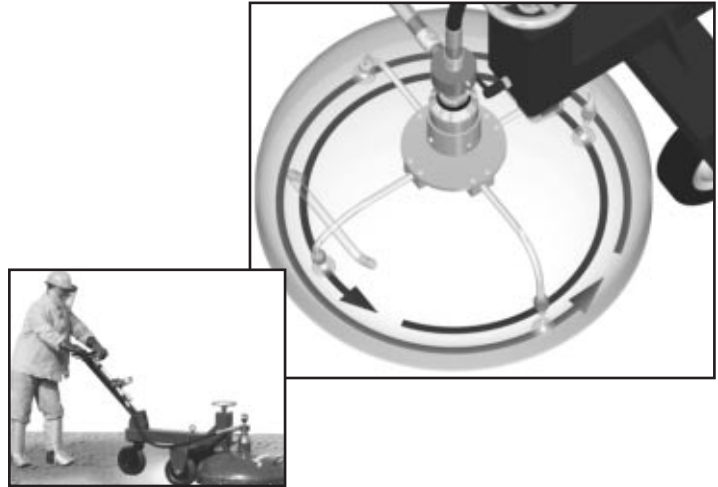
SURFACE CLEANERS

UP TO 15,000 PSI (1000 BAR)



HYDRO-MOWER SURFACE CLEANER

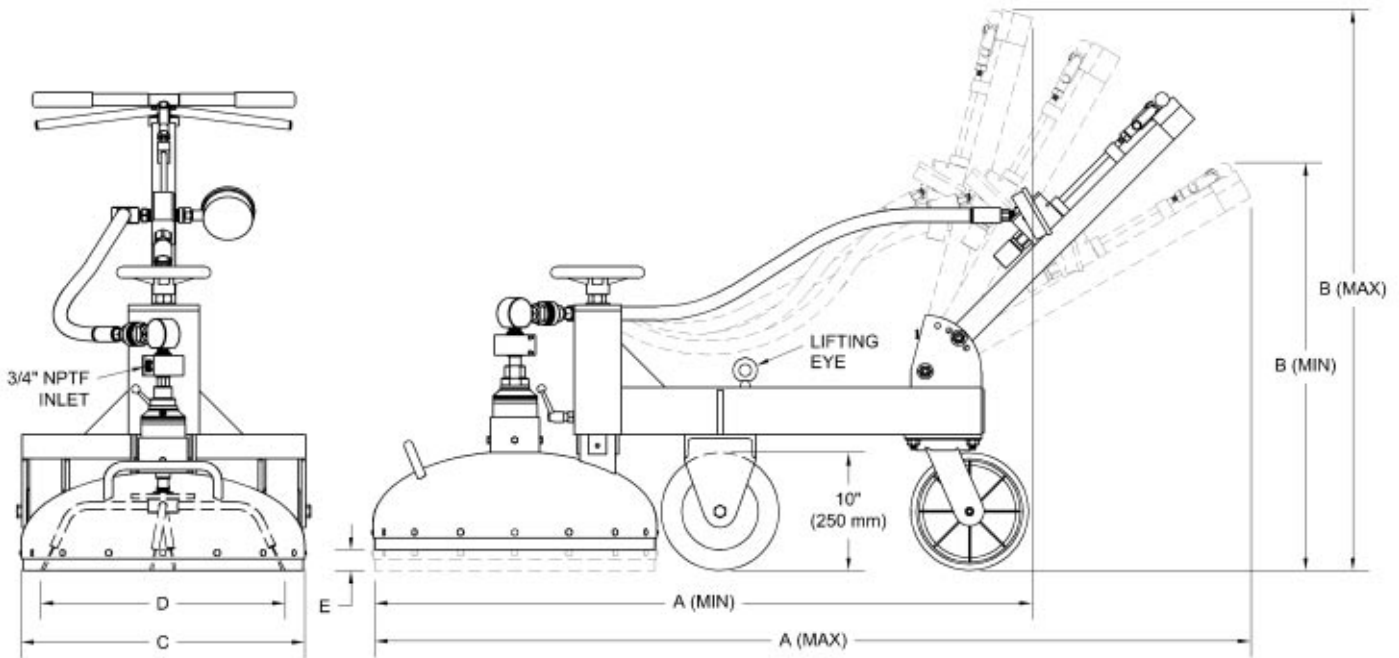
- Two mower sizes available
- Self rotating — no air required!
- Used with **RM Nozzles**
- Galvanized deck
- Hydro-Mowers utilize a four-jet **Spray Bar** that features two jets directed 15° inward and two jets directed 15° outward to create two rotating paths for maximum coverage while the jet angle is ideal for cleaning grates in paint booths.



Part No.	Head Diameter	Connections*		Speed Range	Weight		Maximum Flow**		Max. Operating Pressure	
		Inlet	Outlet (Nozzle)		lb	kg	gpm	lpm	psi	bar
52950	30"	3/4" NPTF	1/2"-28UNEF (RM)	50 – 800	375	170	40	150	15,000	1000
53000	24"	3/4" NPTF	1/2"-28UNEF (RM)	50 – 800	350	160	40	150	15,000	1000

* See details on all connection types beginning on page I-2.

** Flow is dependent upon operating pressure. Maximum flow shown is for 10,000 psi (700 bar) operation.



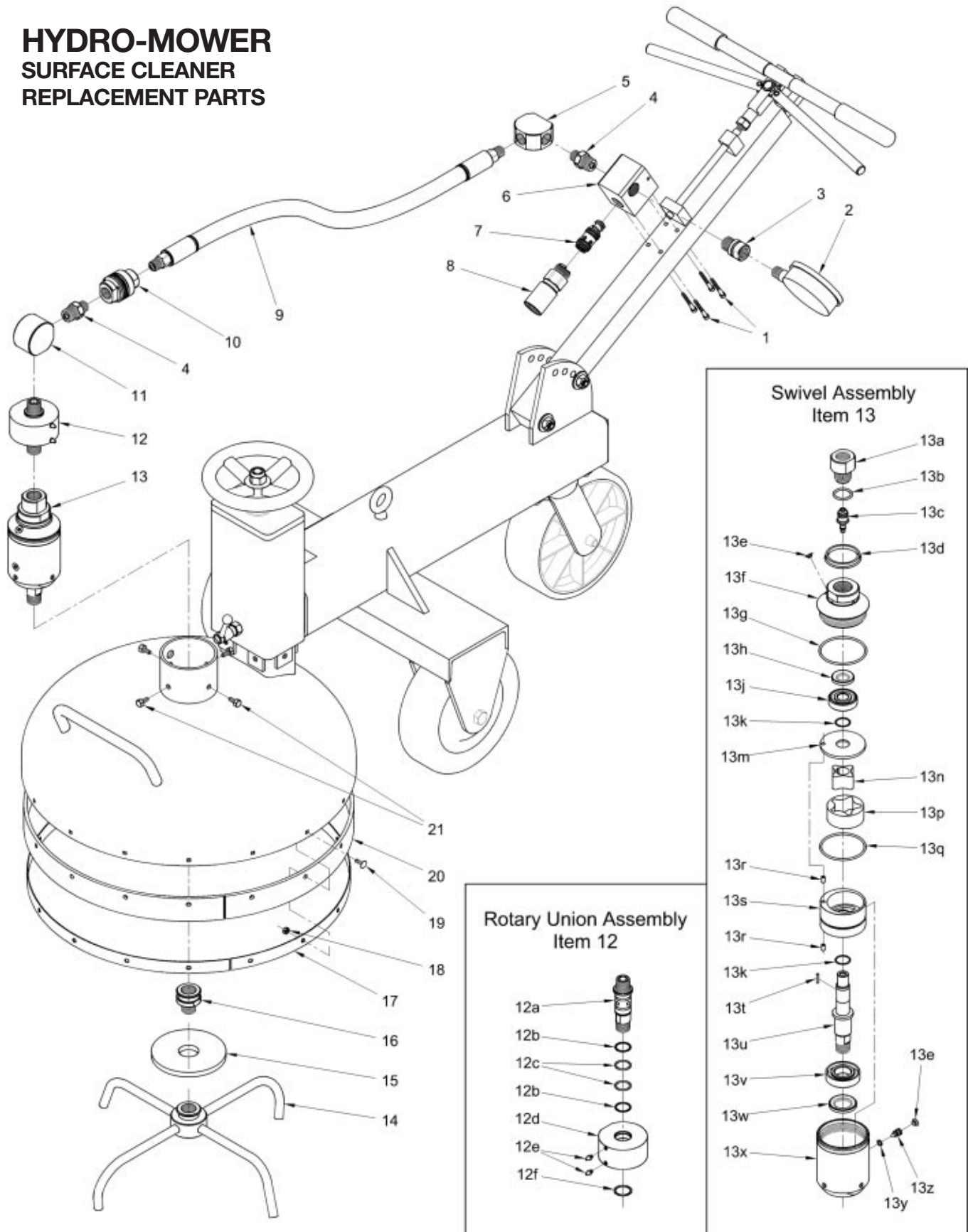
Mower Part No.	Overall Length Range (A)		Overall Height Range (B)		Overall Width (C)		Cleaning Path (D)		Deck Height Range (E)	
	in	cm	in	cm	in	cm	in	cm	in	cm
52950	59 – 77	150 – 197	35 – 47	88 – 120	30-1/4	77	26-1/4 – 27-1/4	67 – 69	0 – 2-1/2	0 – 6
53000	56 – 74	142 – 189	35 – 47	88 – 120	24-1/4	62	20 – 22-1/2	51 – 57	0 – 3-1/2	0 – 9

SURFACE CLEANERS

UP TO 15,000 PSI (1000 BAR)



HYDRO-MOWER SURFACE CLEANER REPLACEMENT PARTS



SURFACE CLEANERS

UP TO 15,000 PSI (1000 BAR)

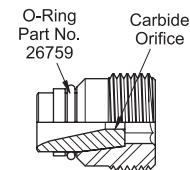


HYDRO-MOWER SURFACE CLEANER REPLACEMENT PARTS

Item	Part No.	Description	Item	Part No.	Description	Item	Part No.	Description
1	27192	Capscrew	12f	27491	Retaining Ring	13t	27038	Pin
2	51126	Gauge	13	52820	Swivel Assembly	13u	53398	Shaft
3	26065	3/4" x 1/2" Bushing	13a	53397	Seal Cap	13v	27049	Thrust Bearing
4	51702	3/4" x 1/2" Nipple	13b	25229	O-Ring	13w	27043	Oil Seal
5	50300	1/2" Elbow	13c	53410	Swivel Seal Cartridge	13x	52753	Swivel Body
6	53549	Valve Body	13d	27042	V-Ring Seal	13y	27052	O-Ring
7	51638	Diffuser	13e	52819	Seal Screw	13z	52757	Speed Adjustment Screw
8	52750	C-15 Mag Cartridge	13f	53395	Swivel Cap	14	52796	Spray Bar, 30" Mower
9	52241-0040505	Hose	13g	27045	O-Ring		52995	Spray Bar, 24" Mower
10	51402	Twis-Lok Coupling	13h	27044	Oil Seal	15	26487	Deflector
11	50336	3/4" Elbow	13j	27048	Guide Bearing	16	53427	Extension (30" Model Only)
12	52825	Rotary Union	13k	27046	O-Ring	17	53097	Retaining Ring, 30" Mower
12a	52774	Shaft	13m	52756	Speed Control Cap		53096	Retaining Ring, 24" Mower
12b	53429	Backup Ring	13n	52762	Inner Rotor	18	26711	Nut
12c	26317	O-Ring	13p	27040	Outer Rotor	19	27073	Capscrew
12d	52776	Body	13q	27204	O-Ring	20	53093	Splash Guard, 30" Mower
12e	27492	Grease Zerk	13r	52958	Hollow Pin		53094	Splash Guard, 24" Mower
			13s	52764	Speed Control Housing	21	27160	Capscrew

RM NOZZLES

Hydro-Mowers use carbide RM Nozzles. See chart below for total flow through mower using four identically sized nozzles.



Part No.	Orifice Size	Flow (gpm) at specified pressures (psi)											Flow (lpm) at specified pressures (bar)							
		5,000	6,000	7,000	8,000	9,000	10,000	11,000	12,000	13,000	14,000	15,000	300	400	500	600	700	800	900	1000
52688	00	4.8	5.2	5.6	6.0	6.4	6.8	7.1	7.4	7.7	8.0	8.3	17	19	22	24	26	28	29	31
52452	0	6.4	7.0	7.6	8.1	8.6	9.1	9.5	9.9	10.4	10.7	11.1	23	26	29	32	35	37	39	41
52453	1	8.3	9.1	9.8	10.5	11.2	11.8	12.3	12.9	13.4	13.9	14.4	29	34	38	42	45	48	51	54
52454	2	11.0	12.1	13.0	13.9	14.8	15.6	16.4	17.1	17.8	18.5	19.1	39	45	50	55	59	64	67	71
52456	3	13.5	14.8	15.9	17.0	18.1	19.1	20.0	20.9	21.7	22.5	23.3	48	55	61	67	73	78	82	87
52457	4	16.2	17.7	19.1	20.4	21.7	22.9	24.0	25.0	26.1	27.0	28.0	57	66	74	81	87	93	99	104
52458	5	23.1	25.3	27.3	29.2	31.0	32.7	34.3	35.8	•	•	•	82	94	105	115	125	133	•	•
52459	6	30.3	33.2	35.9	38.3	40.7	•	•	•	•	•	•	107	124	138	151	•	•	•	•
52461	7	34.3	37.6	40.6	43.4	•	•	•	•	•	•	•	121	140	156	•	•	•	•	•
52462	8	37.4	41.0	44.3	•	•	•	•	•	•	•	•	132	153	171	•	•	•	•	•
52463	9	40.7	44.6	48.2	•	•	•	•	•	•	•	•	144	166	•	•	•	•	•	•

• Exceeds maximum allowable nozzle thrust