

FITTINGS & GAUGES

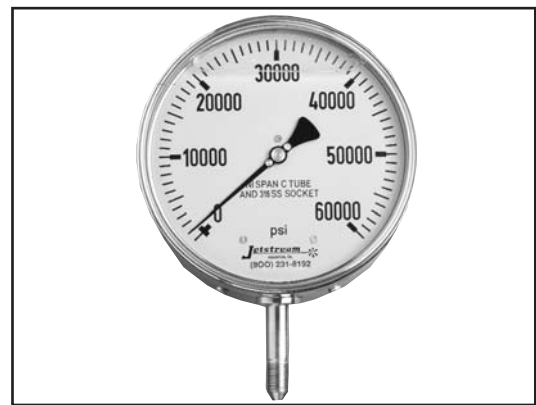
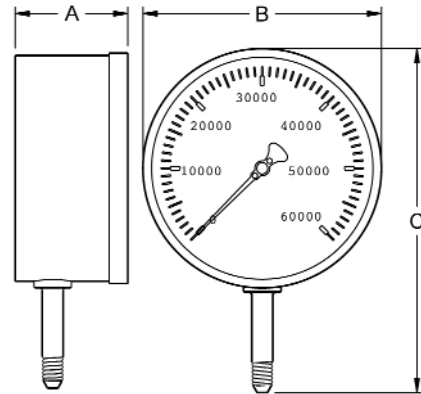
40,000 PSI



PRESSURE GAUGE

Features

- 6" high visibility face with laminated safety glass dial cover
- Accurate within +/- 0.5% of full scale range
- Stainless steel case and internals
- Glycerin-filled for protection against pulsation and vibration
- Blow-out back panel pressure relief in the event of Bourdon tube failure for maximum safety
- Pointer zero adjustment



Part Number	Inlet Connection*	Dimensions						Range	Maximum Working Pressure	
		A		B		C			psi	bar
		in	mm	in	mm	in	mm			
27488	9/16" HP Male	3.1	78	6	150	8.7	221	0 – 60,000	40,000	2,758

* Anti-vibration gland set not included. See Page E-11

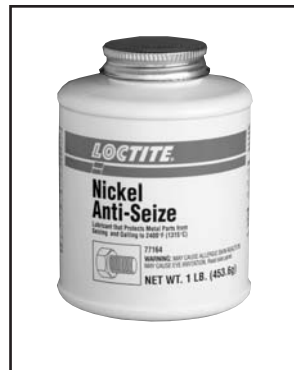
THREAD LUBRICANTS

Product description

Thread Lubricants prevent threaded connections from galling together, or seizing up. Thread lubricants are a necessary protection for all 40,000 psi threaded components.



BLUE GOOP THREAD LUBRICANT
2 oz. Tube
Part Number 27721



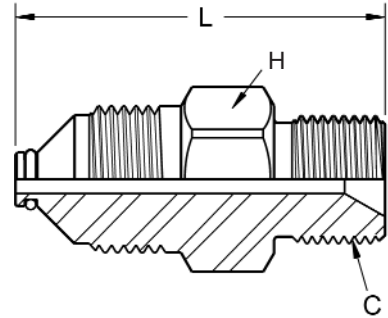
NICKEL-BASED ANTI-SEIZE
1 LB. Brush Top Can
Part Number 28197




FITTINGS & GAUGES

40,000 PSI



MALE PORT TO TYPE "M" MALE ADAPTERS

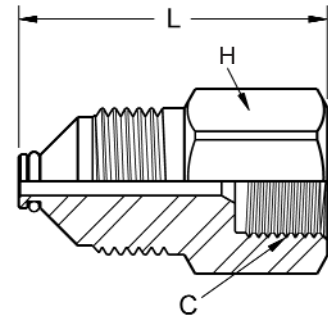





Part Number	Connection Type (C)	Length (L)		Hex Size (H)		Maximum Operating Pressure	
							
	in	mm	in	mm	psi	bar	
53571	9/16" Type "M" Male	2.25	57.2	1.13	28.6	40,000	2,758
53570	7/8" Type "M" Male	2.50	63.5	1.13	28.6	40,000	2,758

Replacement Part

27502 O-Ring

MALE PORT TO HIGH PRESSURE FEMALE ADAPTERS



Part Number	Connection Type (C)	Length (L)		Hex Size (H)		Maximum Operating Pressure	
							
	in	mm	in	mm	psi	bar	
54056	3/8" HP Female	2.09	69.9	1.13	28.6	40,000	2,758
53572	9/16" HP Female	2.25	57.2	1.50	38.1	40,000	2,758

Replacement Part

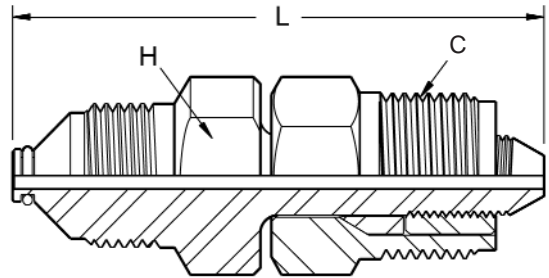
27502 O-Ring




FITTINGS & GAUGES

40,000 PSI



MALE PORT TO HIGH PRESSURE MALE ADAPTERS

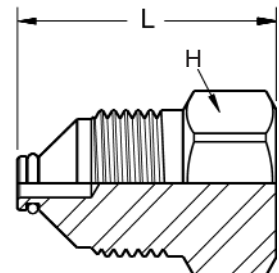





Part Number	Connection Type (C)	Length (L)		Hex Size (H)		Maximum Operating Pressure	
							
	in	mm	in	mm	psi	bar	
54454	9/16" HP Male	3.68	93.5	1.38	34.9	40,000	2,758

Replacement Part

27502 O-Ring

MALE PORT PLUG



Part Number	Connection Type	Length (L)		Hex Size (H)		Maximum Operating Pressure	
							
	in	mm	in	mm	psi	bar	
53573	Plug	1.75	44.5	1.13	28.6	40,000	2,758

Replacement Part

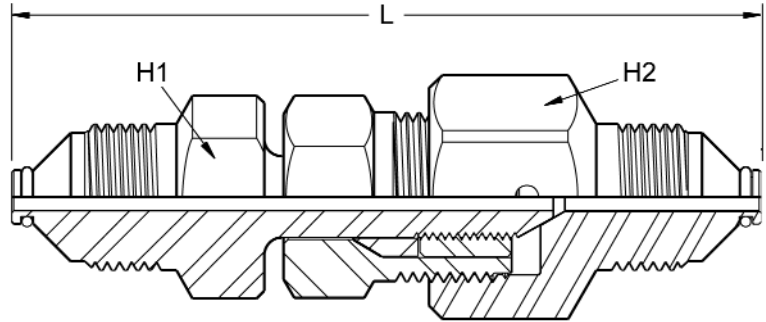
27502 O-Ring





FITTINGS & GAUGES

40,000 PSI



MALE PORT NIPPLE



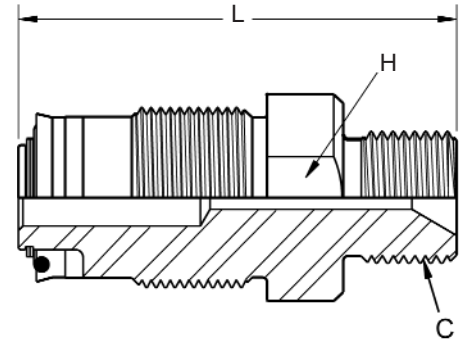
Part Number	Connection Type	Length (L)		Hex Size (H1)		Hex Size (H2)		Maximum Working Pressure	
									
	in	mm	in	mm	in	mm	psi	bar	
53735	9/16" HP Male	5.09	129.3	1.13	28.7	1.50	38.1	40,000	2,758




Replacement Part

27502 O-Ring

PUMP DISCHARGE MALE TO TYPE "M" MALE ADAPTERS

Used to connect hoses having Type "M" female swivel end fittings to the discharge port of the Jetstream Fluid End.



Part Number	Connection Type (C)	Length (L)		Flats (H)		Maximum Working Pressure	
							
	in	mm	in	mm	psi	bar	
53671	9/16" Type "M" Male	2.64	67.1	1.25	31.8	40,000	2,758
53672	7/8" Type "M" Male	2.89	73.4	1.25	31.8	40,000	2,758

Replacement Parts

- 27536 Seal Ring
- 53592 Seal Backup Ring
- 27537 Seal Retaining Ring

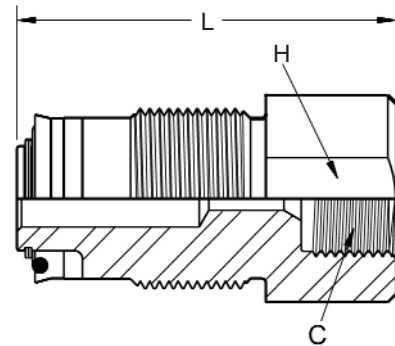
FITTINGS & GAUGES


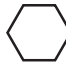

40,000 PSI



PUMP DISCHARGE MALE TO HIGH PRESSURE FEMALE ADAPTERS

Used to connect hoses having high pressure (HP) male end fittings to the discharge port of the Jetstream 40,000 psi Fluid End.

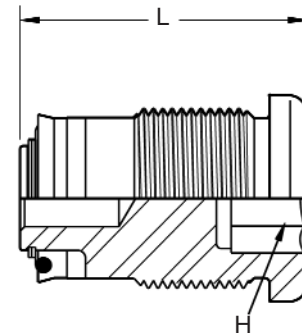





Part Number	Connection Type (C)	Length (L)		Flats (H)		Maximum Working Pressure	
							
	in	mm	in	mm	psi	bar	
53989	3/8" HP Female	2.50	63.5	1.25	31.8	40,000	2,758
53988	9/16" HP Female	2.75	69.9	1.50	38.1	40,000	2,758

Replacement Parts

- 27536 Seal Ring
- 53592 Seal Backup Ring
- 27537 Seal Retaining Ring

PUMP DISCHARGE MALE PLUG



Part Number	Connection Type	Length (L)		Hex Socket (H)		Maximum Working Pressure	
							
	in	mm	in	mm	psi	bar	
53589	Plug	1.89	48.0	.63*	15.9	40,000	2,758

* Allen wrench (hex key) socket. Wrench available below.

Replacement Parts

- 27536 Seal Ring
- 53592 Seal Backup Ring
- 27537 Seal Retaining Ring
- 26544 5/8" Hex Wrench

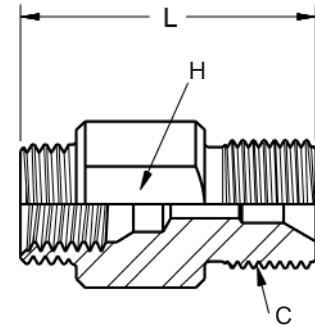
FITTINGS & GAUGES

40,000 PSI



DURASAFE™ GUN TO TYPE "M" MALE ADAPTERS

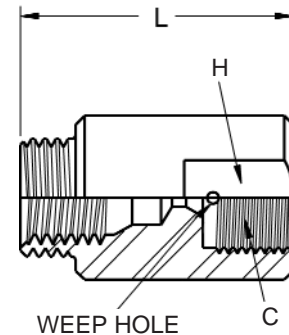
Used to connect hoses having Type "M" female end fittings to the Jetstream Durasafe 40,000 psi hand-held control guns.



Part Number	Connection Type (C)	Length (L)		Flats (H)		Maximum Working Pressure	
		in	mm	in	mm	psi	bar
53529	9/16" Type "M" Male	1.88	47.6	1.00	25.4	40,000	2,758
53468	7/8" Type "M" Male	2.00	50.8	1.00	25.4	40,000	2,758

DURASAFE™ GUN TO HIGH PRESSURE FEMALE ADAPTERS

Used to connect hoses having high pressure male end fittings to the Jetstream Durasafe 40,000 psi hand-held control guns.



Part Number	Connection Type (C)	Length (L)		Flats (H)		Maximum Working Pressure	
		in	mm	in	mm	psi	bar
53534	3/8" HP Female	1.75	44.5	1.00	25.4	40,000	2,758
54446	9/16" HP Female	2.10	53.3	1.25	31.8	40,000	2,758

DURASAFE™ GUN RELATED ITEMS

Part Number	Description
52087	9/16" Collet
52083	9/16" Collet Nut
27502	Rear Barrel O-Ring



COLLET NUT



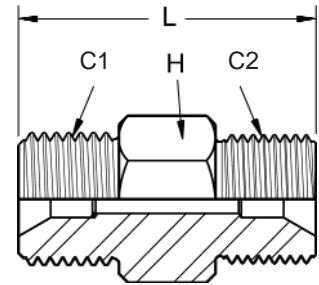
COLLET




FITTINGS & GAUGES

40,000 PSI

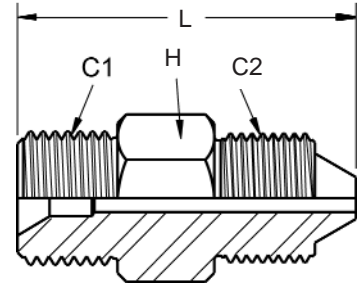



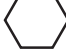

TYPE "M" CONNECTORS



Part Number	Connection Type		Length (L)		Hex Size (H)		Maximum Working Pressure	
								
	Connection 1 (C1)	Connection 2 (C2)	in	mm	in	mm	psi	bar
27527	9/16" Type "M" Male	9/16" Type "M" Male	1.38	34.9	.63	15.9	40,000	2,758
27529	9/16" Type "M" Male	7/8" Type "M" Male	1.88	50.8	1.00	25.4	40,000	2,758
27528	7/8" Type "M" Male	7/8" Type "M" Male	2.00	50.8	1.00	25.4	40,000	2,758
28669	1 1/8" Type "M" Male	7/8" Type "M" Male	2.44	61.9	1.25	31.8	40,000	2,758
28831	1 1/8" Type "M" Male	1 1/8" Type "M" Male	2.88	73.0	1.25	31.8	40,000	2,758

TYPE "M" MALE TO HIGH PRESSURE MALE CONNECTORS



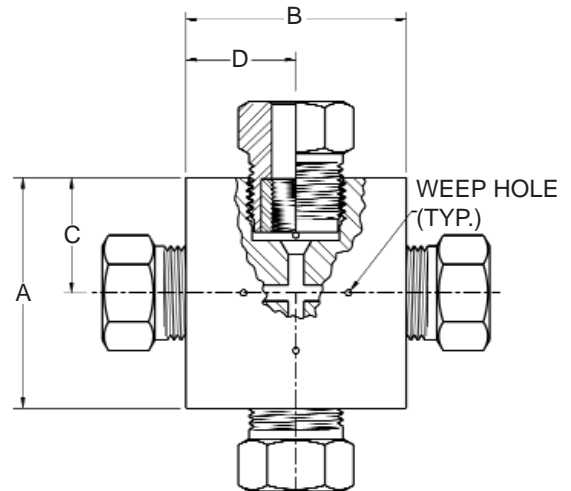
Part Number	Connection Type		Length (L)		Hex Size (H)		Maximum Working Pressure	
								
	Connection 1 (C1)	Connection 2 (C2)	in	mm	in	mm	psi	bar
27530	9/16" Type "M" Male	3/8" HP Male	1.75	44.5	.75	19.1	40,000	2,758
27706	9/16" Type "M" Male	9/16" HP Male	2.00	50.8	1.13	28.7	40,000	2,758
28169	7/8" Type "M" Male	3/8" HP Male	2.25	57.2	1.00	25.4	40,000	2,758
27531	7/8" Type "M" Male	9/16" HP Male	2.38	60.3	1.13	28.7	40,000	2,758
28670	1 1/8" Type "M" Male	9/16" HP Male	2.94	74.6	1.38	34.9	40,000	2,758



FITTINGS & GAUGES

40,000 PSI

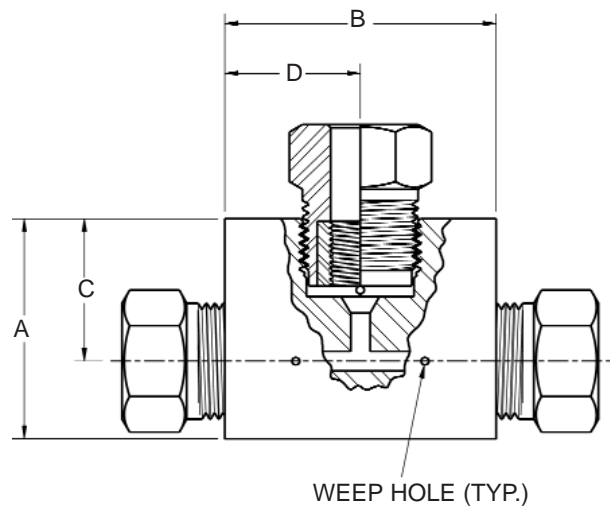




HIGH PRESSURE CROSSES



Part Number	Connection Type 	Dimensions								Maximum Working Pressure	
		A		B		C		D			
		in	mm	in	mm	in	mm	in	mm	psi	bar
28639	1/4" HP Female	2.00	50.8	1.50	38.1	1.00	25.4	.75	19.1	60,000	4,138
28163	3/8" HP Female	2.13	54.0	2.00	50.8	1.06	26.9	1.00	25.4	60,000	4,138
27839	9/16" HP Female	2.75	69.9	2.63	66.7	1.38	34.9	1.31	33.3	60,000	4,138

HIGH PRESSURE TEES



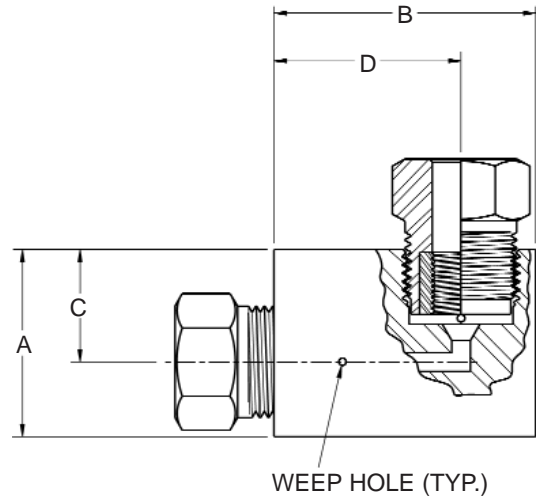
Part Number	Connection Type 	Dimensions								Maximum Working Pressure	
		A		B		C		D			
		in	mm	in	mm	in	mm	in	mm	psi	bar
28640	1/4" HP Female	1.38	34.9	2.00	50.8	.88	22.2	1.00	25.4	60,000	4,138
28164	3/8" HP Female	1.56	39.7	2.00	50.8	1.06	26.9	1.00	25.4	60,000	4,138
27838	9/16" HP Female	2.13	54.0	2.63	66.7	1.38	34.9	1.63	41.3	60,000	4,138



FITTINGS & GAUGES

40,000 PSI

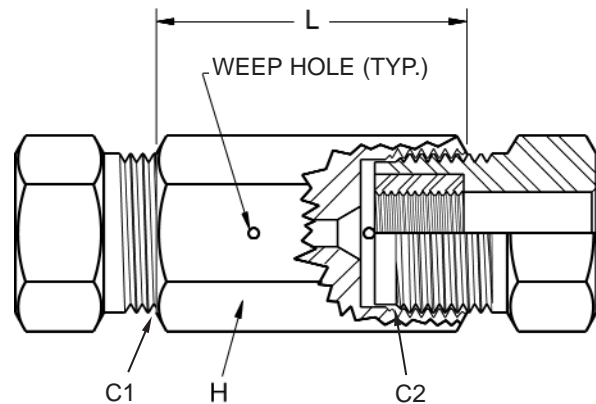





HIGH PRESSURE ELBOWS



Part Number	Connection Type 	Dimensions								Maximum Working Pressure	
		A		B		C		D			
		in	mm	in	mm	in	mm	in	mm	psi	bar
28641	1/4" HP Female	1.50	38.1	1.38	34.9	1.00	25.4	.88	22.2	60,000	4,138
28165	3/8" HP Female	1.50	38.1	1.75	44.5	1.00	25.4	1.25	31.8	60,000	4,138
28166	9/16" HP Female	1.88	50.8	2.63	66.7	1.13	28.7	1.13	28.7	60,000	4,138

HIGH PRESSURE STRAIGHT COUPLINGS



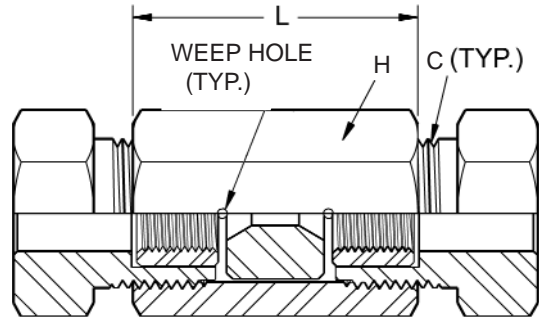
Part Number	Connection Type		Length (L)		Hex Size (H)		Maximum Working Pressure	
								
	Connection 1(C1)	Connection 2 (C2)	in	mm	in	mm	psi	bar
28643	1/4" HP Female	1/4" HP Female	1.75	44.5	1.00	25.4	60,000	4,138
28644	1/4" HP Female	3/8" HP Female	1.63	41.3	1.00	25.4	60,000	4,138
28645	1/4" HP Female	9/16" HP Female	1.75	44.5	1.38	34.9	60,000	4,138
27965	3/8" HP Female	3/8" HP Female	2.00	50.8	1.00	25.4	60,000	4,138
28646	3/8" HP Female	9/16" HP Female	2.00	50.8	1.38	34.9	60,000	4,138
27607	9/16" HP Female	9/16" HP Female	2.38	60.3	1.38	34.9	60,000	4,138




FITTINGS & GAUGES

40,000 PSI

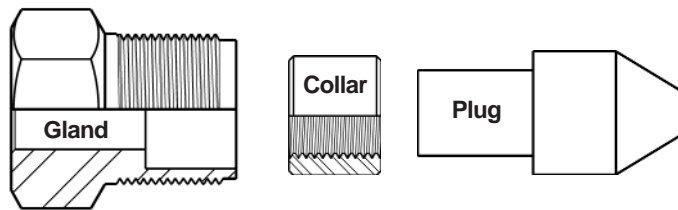


HIGH PRESSURE UNION COUPLINGS



Part Number	Connection Type (C)	Length (L)		Hex Size (H)		Maximum Working Pressure	
							
		in	mm	in	mm	psi	bar
28647	1/4" HP Female	1.38	34.9	.75	19.1	60,000	4,138
28648	3/8" HP Female	2.75	69.9	1.00	25.4	60,000	4,138
28649	9/16" HP Female	2.19	55.6	1.38	34.9	60,000	4,138

HIGH PRESSURE GLAND NUTS, COLLARS, AND PLUGS



Size	Gland	Collar	Plug
1/4"	28650	28651	28652
3/8"	28176	28175	28653
9/16"	27520	27510	28654

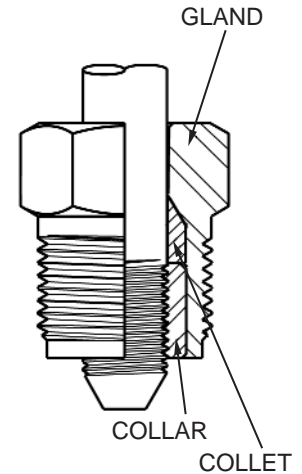
FITTINGS & GAUGES

40,000 PSI



ANTI-VIBRATION GLAND ASSEMBLIES





Used to reduce stress on tubing threads in conditions where bending or vibration are present, anti-vibration gland assemblies feature a collet that clamps onto the tubing when tightened to provide extra support and strength.



Size	HP	Gland Replacement Part	Collet Replacement Part	Collar Replacement Part
1/4"	28655	28655G	28655C	28651
3/8"	28656	28656G	28656C	28175
9/16"	28090	28090G	28090C	27510

HIGH PRESSURE NIPPLES



Part Number	Connection Type		O.D.		I.D.		Maximum Working Pressure	
								
	Connection 1 (C1)	Connection 2 (C2)	in	mm	in	mm	psi	bar
54456-XX	1/4" HP LH	1/4" HP LH	.245	6.22	.083	2.11	60,000	4,138
54457-XX	1/4" HP LH	1/4" HP RH	.245	6.22	.083	2.11	60,000	4,138
54458-XX	1/4" HP RH	1/4" HP RH	.245	6.22	.083	2.11	60,000	4,138
54208-XX	3/8" HP LH	3/8" HP LH	.368	9.35	.125	3.18	60,000	4,138
54459-XX	3/8" HP LH	3/8" HP RH	.368	9.35	.125	3.18	60,000	4,138
54461-XX	3/8" HP RH	3/8" HP RH	.368	9.35	.125	3.18	60,000	4,138
54209-XX	9/16" HP LH	9/16" HP LH	.553	14.05	.188	4.76	60,000	4,138
54462-XX	9/16" HP LH	9/16" HP RH	.553	14.05	.188	4.76	60,000	4,138
54463-XX	9/16" HP RH	9/16" HP RH	.553	14.05	.188	4.76	60,000	4,138
54464-XX	9/16" HP LH	9/16" HP LH	.553	14.05	.250	6.35	40,000	2,758
54466-XX	9/16" HP LH	9/16" HP RH	.553	14.05	.250	6.35	40,000	2,758
54467-XX	9/16" HP RH	9/16" HP RH	.553	14.05	.250	6.35	40,000	2,758

XX – Specify length in inches, up to 48 inches. EX: 3 inches = 03 inches in length.

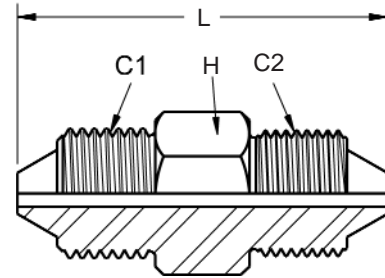
For lengths over 48 inches, see Rigid Lance, Section C.




FITTINGS & GAUGES

40,000 PSI

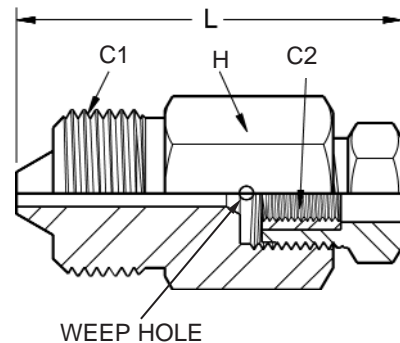



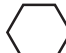

HIGH PRESSURE MALE TO MALE CONNECTORS



Part Number	Connection Type		Length (L)		Hex Size (H)		Maximum Working Pressure	
								
	Connection 1 (C1)	Connection 2 (C2)	in	mm	in	mm	psi	bar
28657	1/4" HP Male	1/4" HP Male	1.68	42.7	.63	15.9	60,000	4,138
28658	1/4" HP Male	3/8" HP Male	2.06	52.4	.75	19.1	60,000	4,138
28659	1/4" HP Male	9/16" HP Male	2.25	57.2	1.13	28.7	60,000	4,138
28170	3/8" HP Male	3/8" HP Male	2.25	57.2	.75	19.1	60,000	4,138
28171	3/8" HP Male	9/16" HP Male	2.50	63.5	1.13	28.7	60,000	4,138
28172	9/16" HP Male	9/16" HP Male	2.63	66.7	1.13	28.7	60,000	4,138

HIGH PRESSURE MALE TO FEMALE CONNECTORS



Part Number	Connection Type		Length (L)		Hex Size (H)		Maximum Working Pressure	
								
	Connection 1 (C1)	Connection 2 (C2)	in	mm	in	mm	psi	bar
28660	1/4" HP Male	3/8" HP Female	1.50	38.1	1.00	25.4	60,000	4,138
28661	1/4" HP Male	9/16" HP Female	1.75	44.5	1.38	34.9	60,000	4,138
28662	3/8" HP Male	1/4" HP Female	1.75	44.5	.75	19.1	60,000	4,138
28663	3/8" HP Male	9/16" HP Female	1.88	47.6	1.38	34.9	60,000	4,138
28664	9/16" HP Male	1/4" HP Female	2.13	54.0	1.13	28.7	60,000	4,138
28665	9/16" HP Male	3/8" HP Female	2.13	54.0	1.13	28.7	60,000	4,138

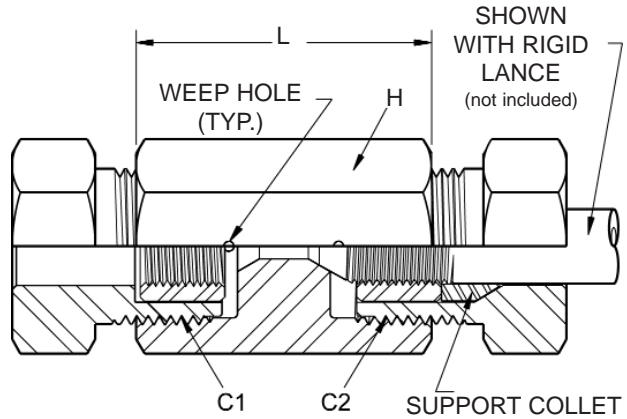
FITTINGS & GAUGES

40,000 PSI



HIGH PRESSURE RIGID LANCE HOLDERS

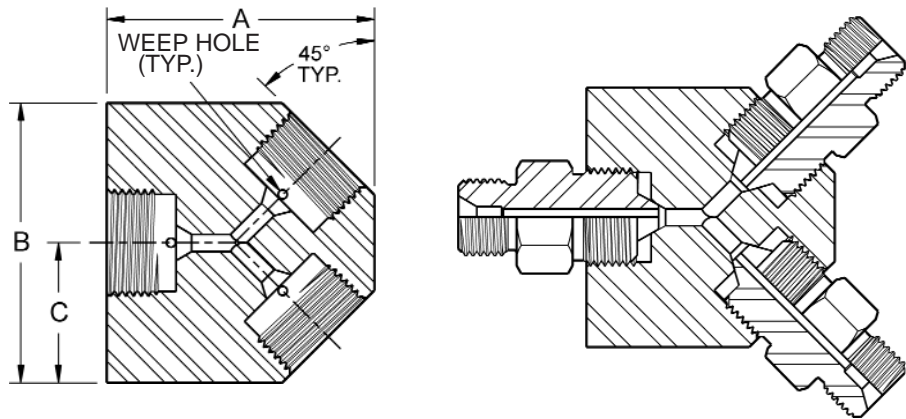
The Jetstream high pressure rigid lance holder is used to provide reduced stress on the rigid lance to flexible lance connection, therefore, greatly reducing lance breakage and increasing safety. The rigid lance is inserted into the support tube and screwed into the female threaded connection.



Part Number	Connection Type		Length (L)		Hex Size (H)		Maximum Working Pressure	
	Inlet Connection (C1)	Rigid Lance Port (C2)	in	mm	in	mm	psi	bar
28202	9/16" HP	1/4" HP	1.63	41.3	1.38	34.9	60,000	4,138
28203	9/16" HP	3/8" HP	1.75	44.5	1.38	34.9	60,000	4,138
28204	9/16" HP	9/16" HP	2.38	60.3	1.38	34.9	60,000	4,138

Y-ADAPTERS

Allows for the connection of two multi-mode valves to one supply source.



Part Number	Connection Type	Dimensions								Maximum Working Pressure	
		A		B		C		Block Thickness			
	in	mm	in	mm	in	mm	in	mm	psi	bar	
28672	9/16" HP Female	2.88	73.0	3.00	76.2	1.50	38.1	1.75	44.5	60,000	4,138
54482	7/8" Type "M" Male	2.88	73.0	3.00	76.2	1.50	38.1	1.75	44.5	60,000	4,138

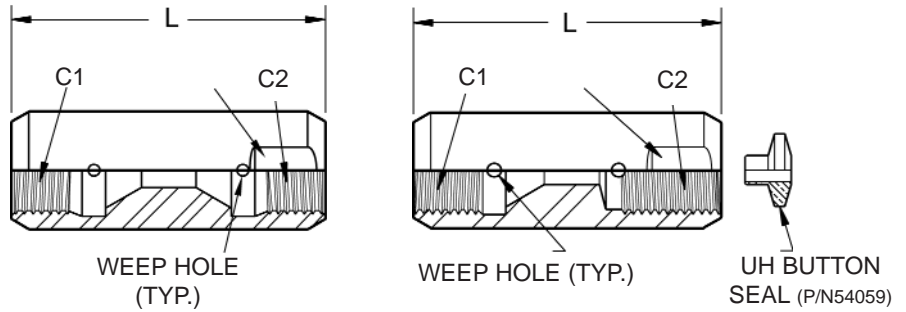
FITTINGS & GAUGES



40,000 PSI



SLIMLINE LANCE COUPLINGS

Used to connect two lances together without the use of glands and collars.



Part Number	Connection Type		Length (L)		Outside Diameter		Maximum Working Pressure	
								
	Connection 1 (C1)	Connection 2 (C2)	in	mm	in	mm	psi	bar
54468	1/4" HP Lance RH	1/4" HP Lance RH	1.25	31.8	.38	9.7	40,000	2,758
54469	1/4" HP Lance RH	1/4" HP Lance LH	1.25	31.8	.38	9.7	40,000	2,758
54471	1/4" HP Lance LH	1/4" HP Lance LH	1.25	31.8	.38	9.7	40,000	2,758
54472	1/4" HP Lance RH	3/8" HP Lance RH	1.40	35.6	.50	12.7	40,000	2,758
54473	1/4" HP Lance LH	3/8" HP Lance RH	1.40	35.6	.50	12.7	40,000	2,758
54474	1/4" HP Lance RH	3/8" HP Lance LH	1.40	35.6	.50	12.7	40,000	2,758
54476	1/4" HP Lance LH	3/8" HP Lance LH	1.40	35.6	.50	12.7	40,000	2,758
53982	3/8" HP Lance RH	3/8" HP Lance RH	1.50	38.1	.50	12.7	40,000	2,758
54198	3/8" HP Lance RH	3/8" HP Lance LH	1.50	38.1	.50	12.7	40,000	2,758
54197	3/8" HP Lance LH	3/8" HP Lance LH	1.50	38.1	.50	12.7	40,000	2,758
54202	3/8" HP Lance RH	9/16" HP Lance RH	1.75	44.5	.75	19.1	40,000	2,758
54477	3/8" HP Lance LH	9/16" HP Lance RH	1.75	44.5	.75	19.1	40,000	2,758
54201	3/8" HP Lance RH	9/16" HP Lance LH	1.75	44.5	.75	19.1	40,000	2,758
54200	3/8" HP Lance LH	9/16" HP Lance LH	1.75	44.5	.75	19.1	40,000	2,758
53981	9/16" HP Lance RH	9/16" HP Lance RH	2.00	50.8	.75	19.1	40,000	2,758
54204	9/16" HP Lance RH	9/16" HP Lance LH	2.00	50.8	.75	19.1	40,000	2,758
54203	9/16" HP Lance LH	9/16" HP Lance LH	2.00	50.8	.75	19.1	40,000	2,758
54478	9/16" HP Lance RH	9/16" Button Seal	2.00	50.8	.75	19.1	40,000	2,758
54479	9/16" HP Lance LH	9/16" Button Seal	2.00	50.8	.75	19.1	40,000	2,758
54205	9/16" Button Seal	9/16" Button Seal	2.00	50.8	.75	19.1	40,000	2,758
Button Seal Ring								
54059	Button Seal	Used with fittings that feature a 9/16" Button Seal connection						